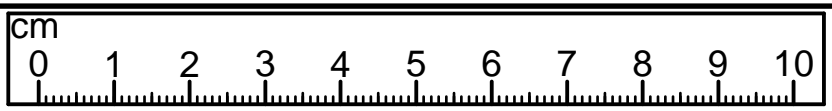


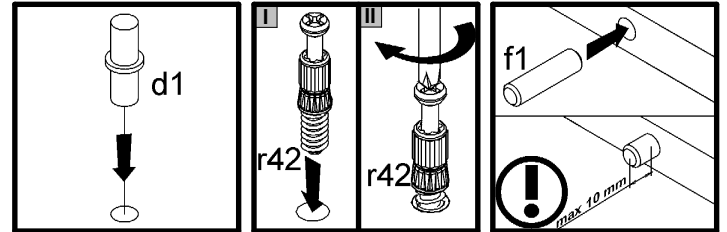
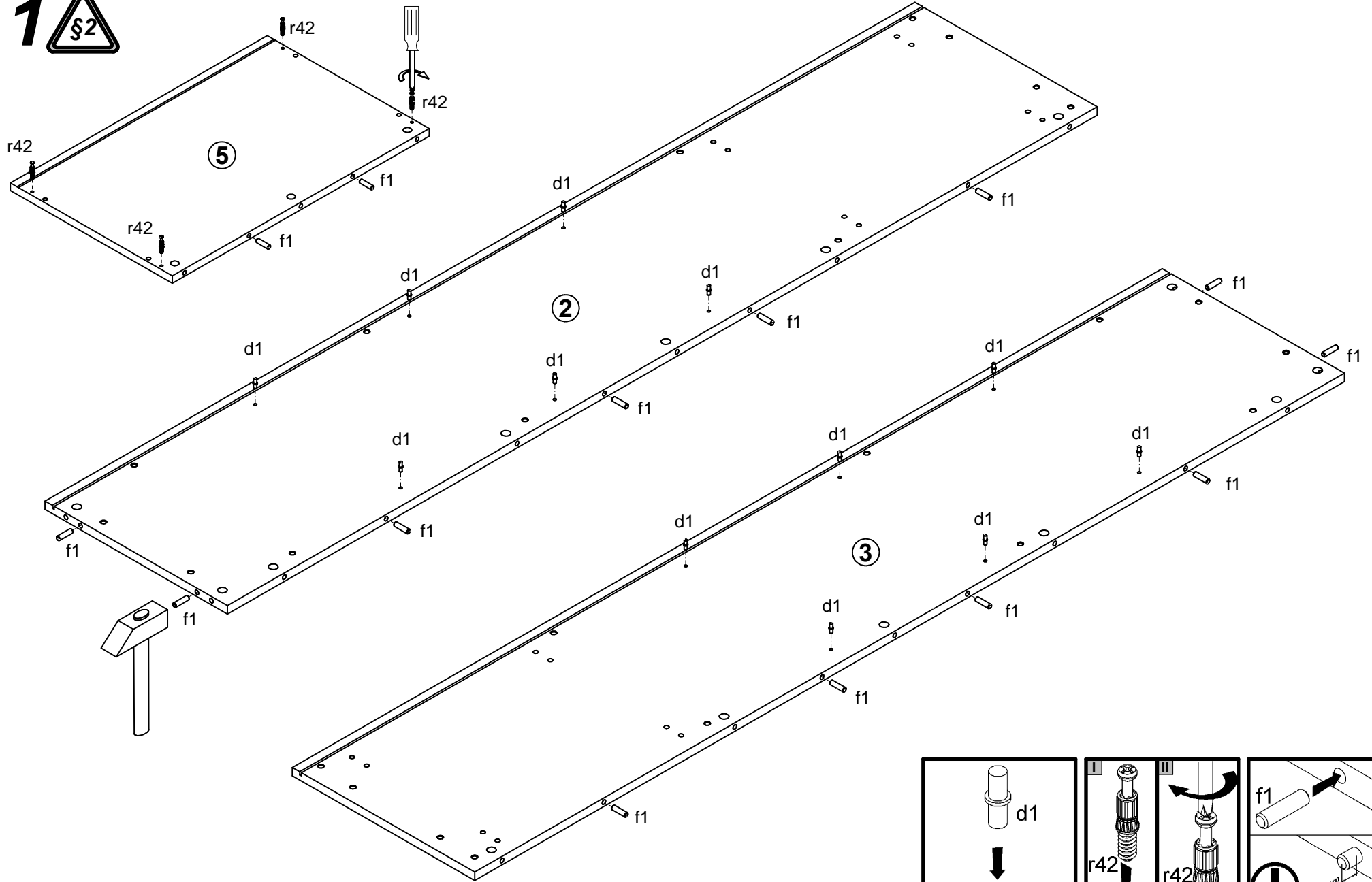
§1

A	B	C (mm)		D
1	S228-001	514	192	1/2
2	S228-101	1914	401	2/2
3	S228-102	1914	401	2/2
4	S228-103	388	381	1/2
5	S228-201	636	401	1/2
6	S228-301	604	381	1/2
7	S228-302	604	381	1/2
8	S228-303	603	376	2/2
9	S228-401	522	60	1/2
10	S228-5501	681	80	1/2
11	S228-5502	520	80	1/2
12	S228-5503	602	40	1/2
13	S228-5504	1910	80	2/2
14	S228-5505	1910	80	2/2
15	S228-5506	401	80	1/2
16	S228-5507	1920	58	2/2
17	S228-5508	285	80	1/2
18	S228-5509	1910	58	2/2
19	S228-901	1840	614	2/2
20	WSP-945	492	358	1/2
21	WSQ4-505	350	140	1/2
22	WSQ4-506	350	140	1/2
23	WTQ-5050	482	127	1/2



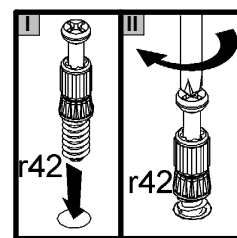
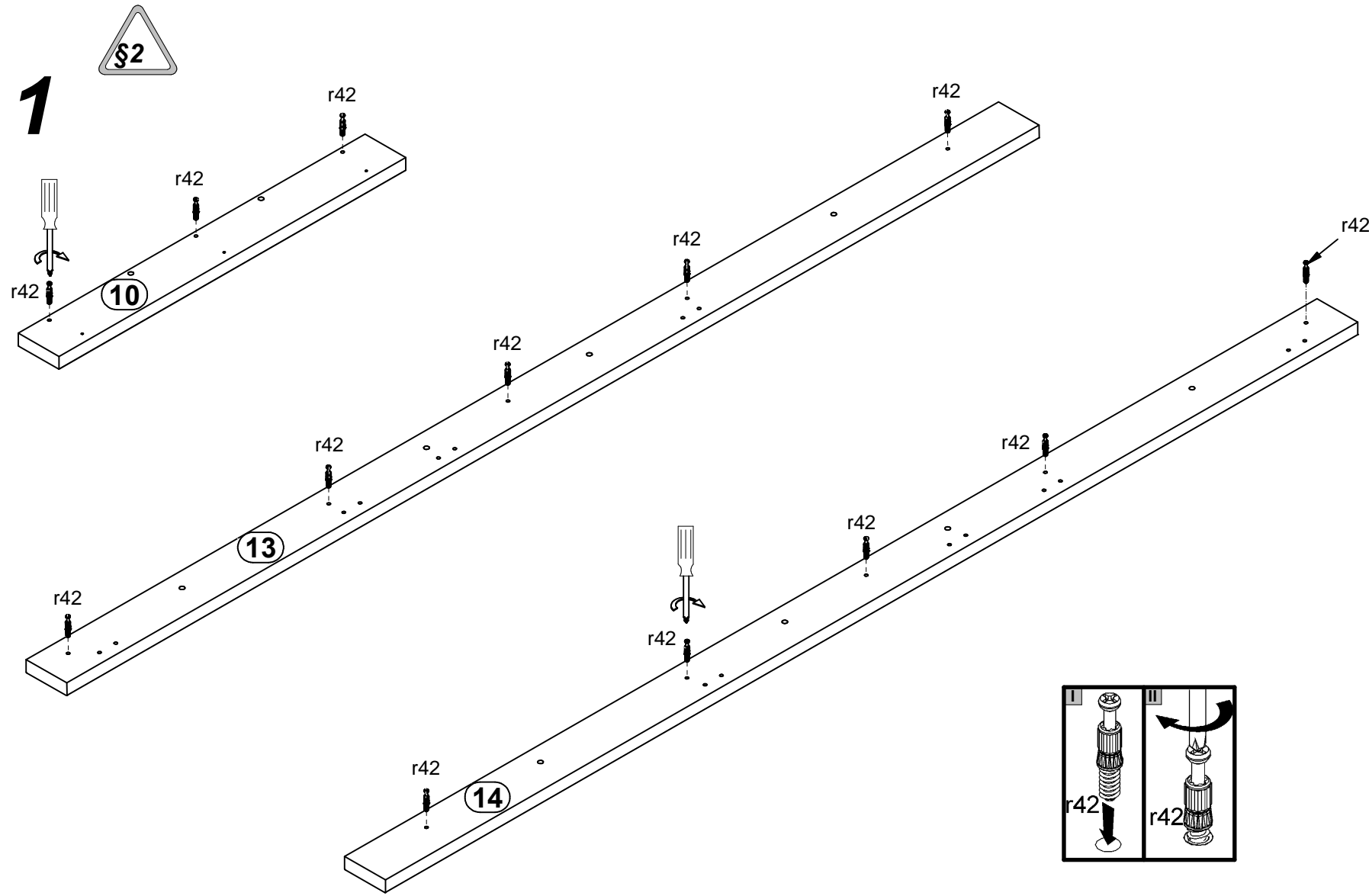
2x 192mm c280\1	12x Ø5x17 mm d1	2x d36	8x Ø7x50 mm e1	16x Ø6x13 mm e3	24x Ø7x28 mm e22	34x Ø8x30 mm f1	16x Ø8x20 mm f13	8x Ø6.5x40 mm f25	4x M4x22 mm j30	6x k1	2x 83x83x11 k101	12x l1
17x i2	3x Ø75\1	1x Ø80\3	1x 5W Ø75\2	3x Ø4x30 mm p9	2x Ø3.5x16 mm p25	2x Ø3.5x10 mm p35	12x Ø3.5x16 mm p38	4x Ø3.5x15 mm p51	4x Ø3.5x20 mm p79	17x Ø15x12 mm #16 r1	8x Ø12x10.5 mm #12 r15	25x 20/11 r42
16x s1	12x Ø16 s2	2x 350 mm t35	2x 350 mm W117\L	2x 350 mm W117\P	1x z1	1x Ø10x50 mm f35	1x 81x21x15/1.5 n14	1x Ø5x60 mm p17	2x Ø3.5x16 mm p38			

1 

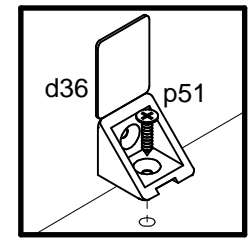
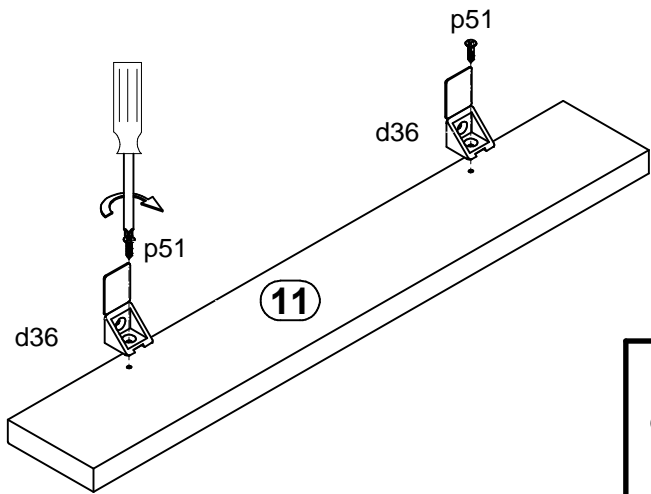
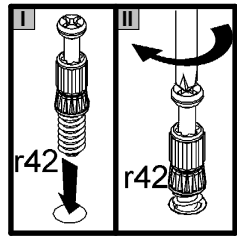
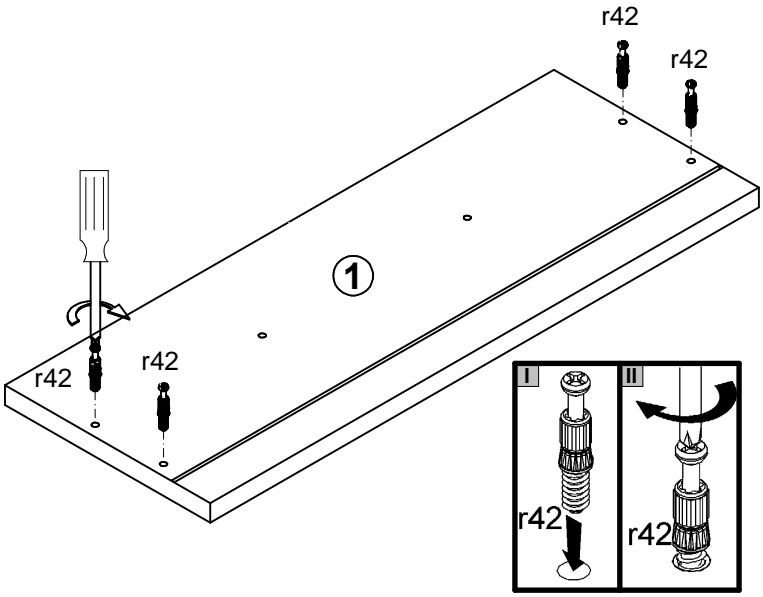
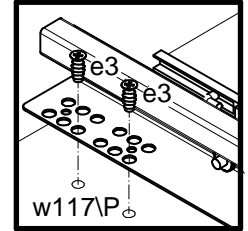
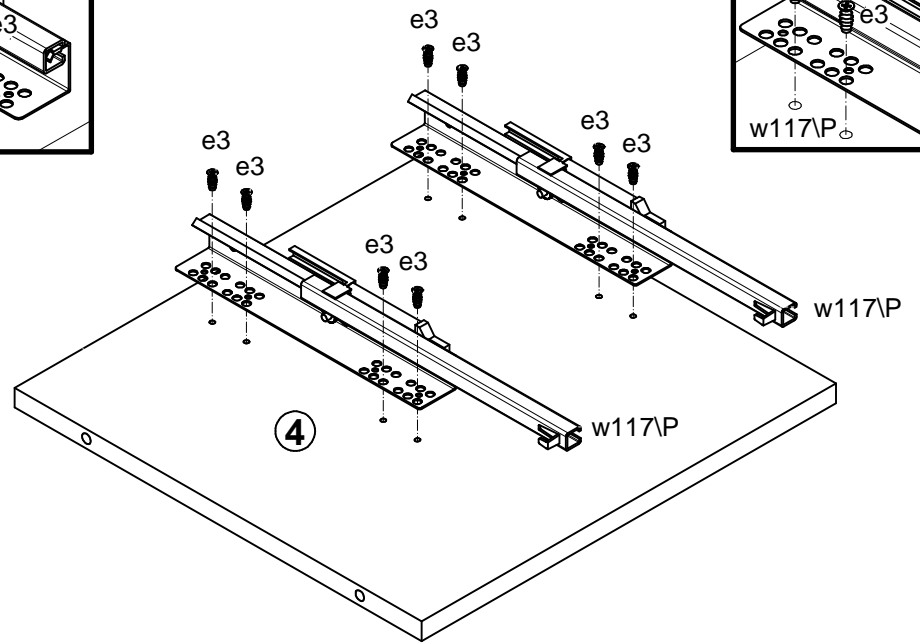
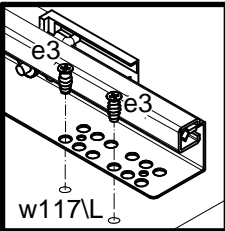
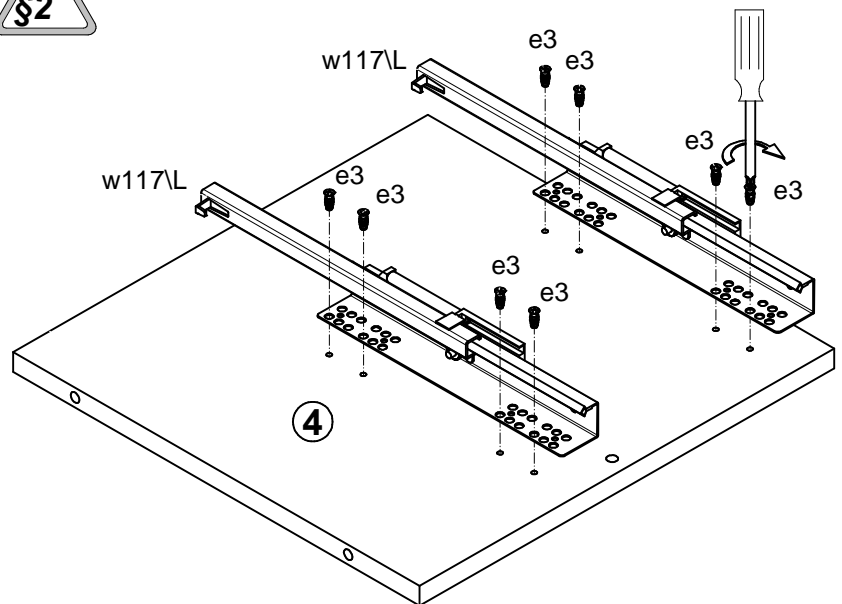


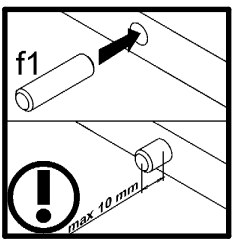
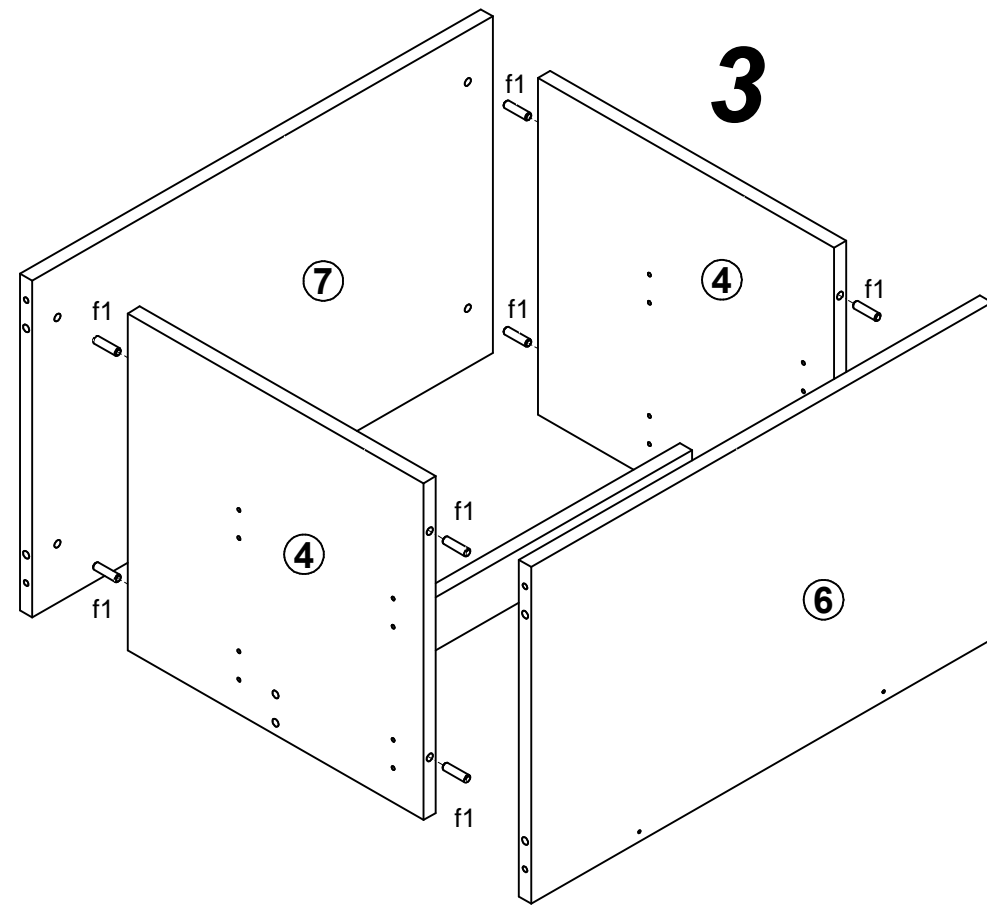
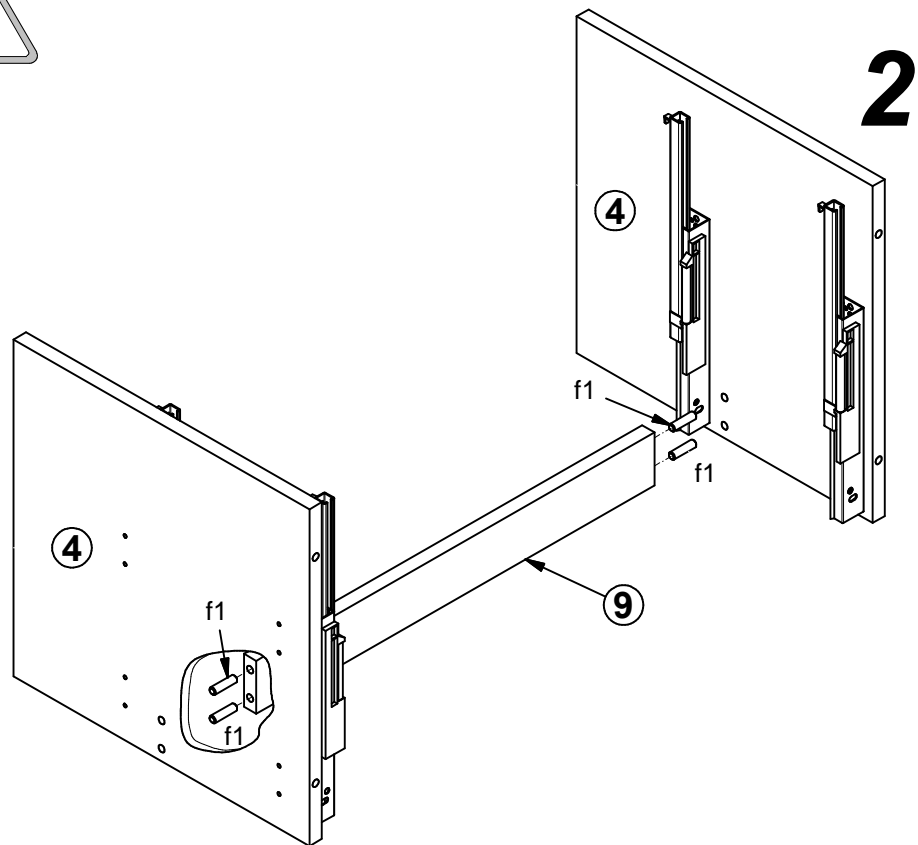
This block contains three inset diagrams illustrating the correct installation of the fasteners:

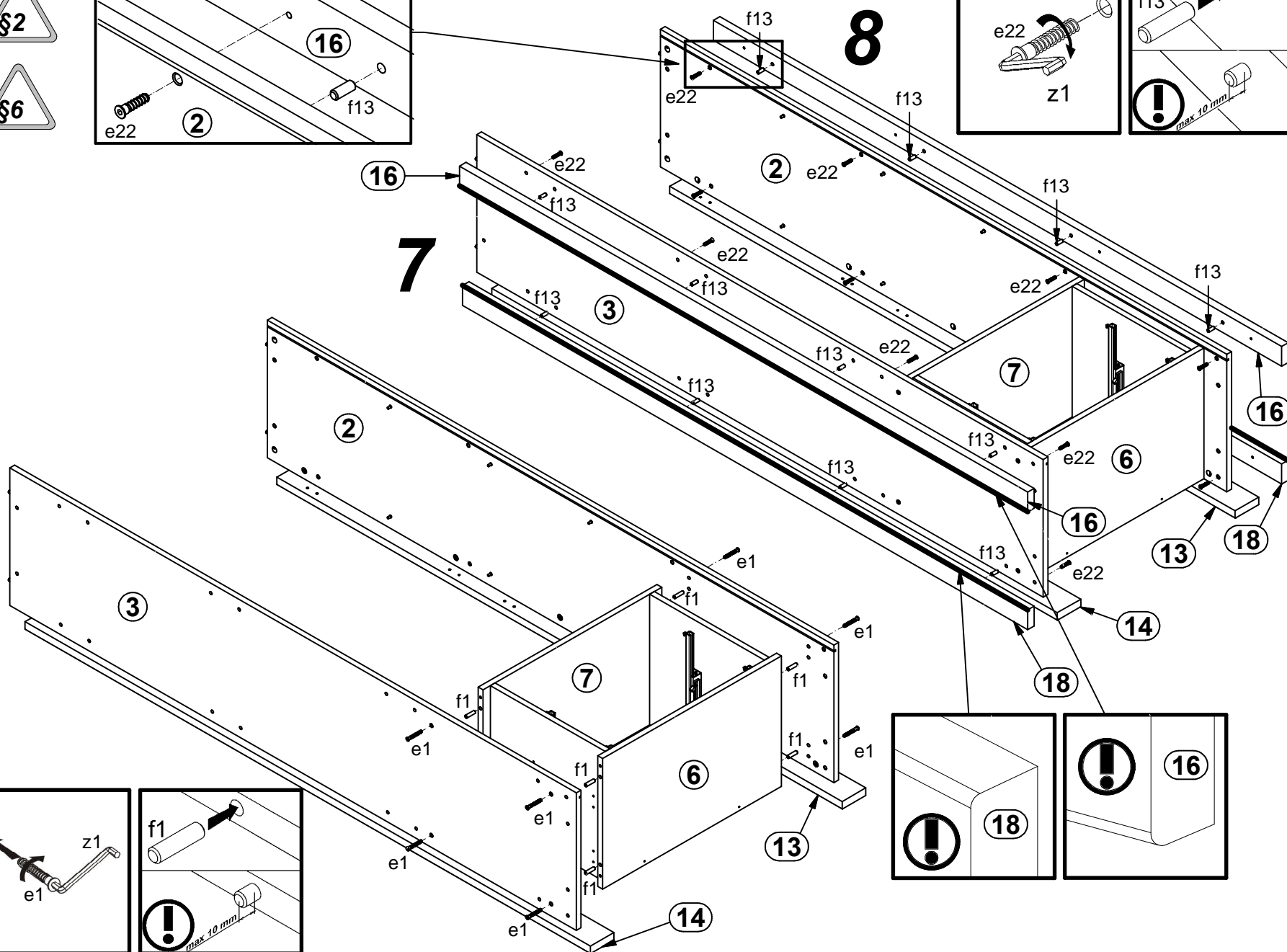
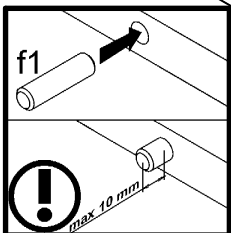
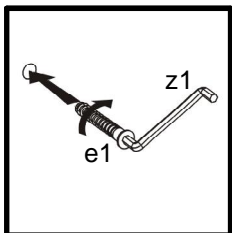
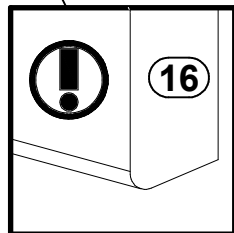
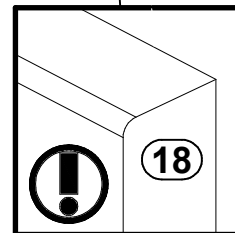
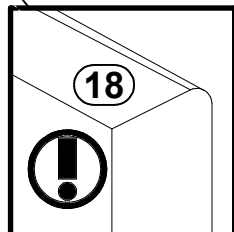
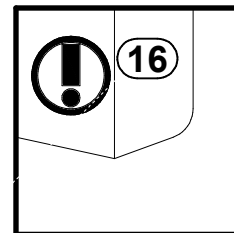
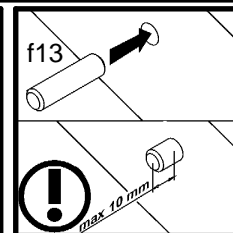
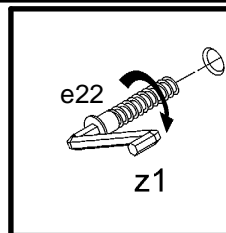
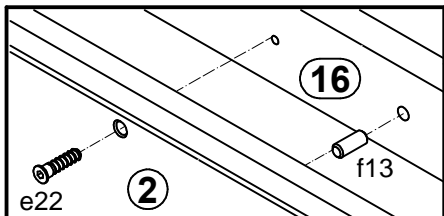
- The first inset shows a fastener labeled 'd1' being inserted into a hole, with a downward arrow indicating the direction of insertion.
- The second inset shows a fastener labeled 'r42' being inserted into a hole, with a downward arrow and a curved arrow indicating a specific rotation or alignment.
- The third inset shows a fastener labeled 'f1' being inserted into a hole. Below this inset is a warning symbol (exclamation mark in a circle) and the text 'max 10 mm', indicating a maximum insertion depth.

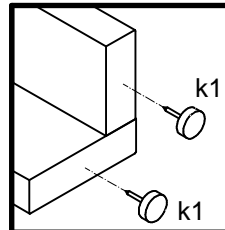
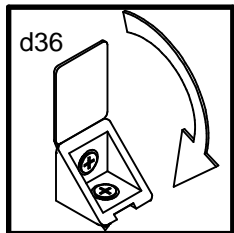
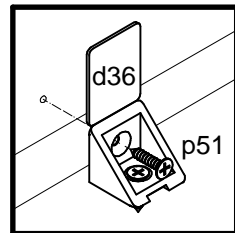
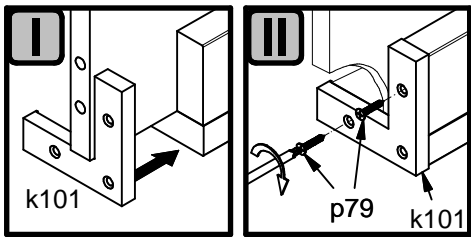
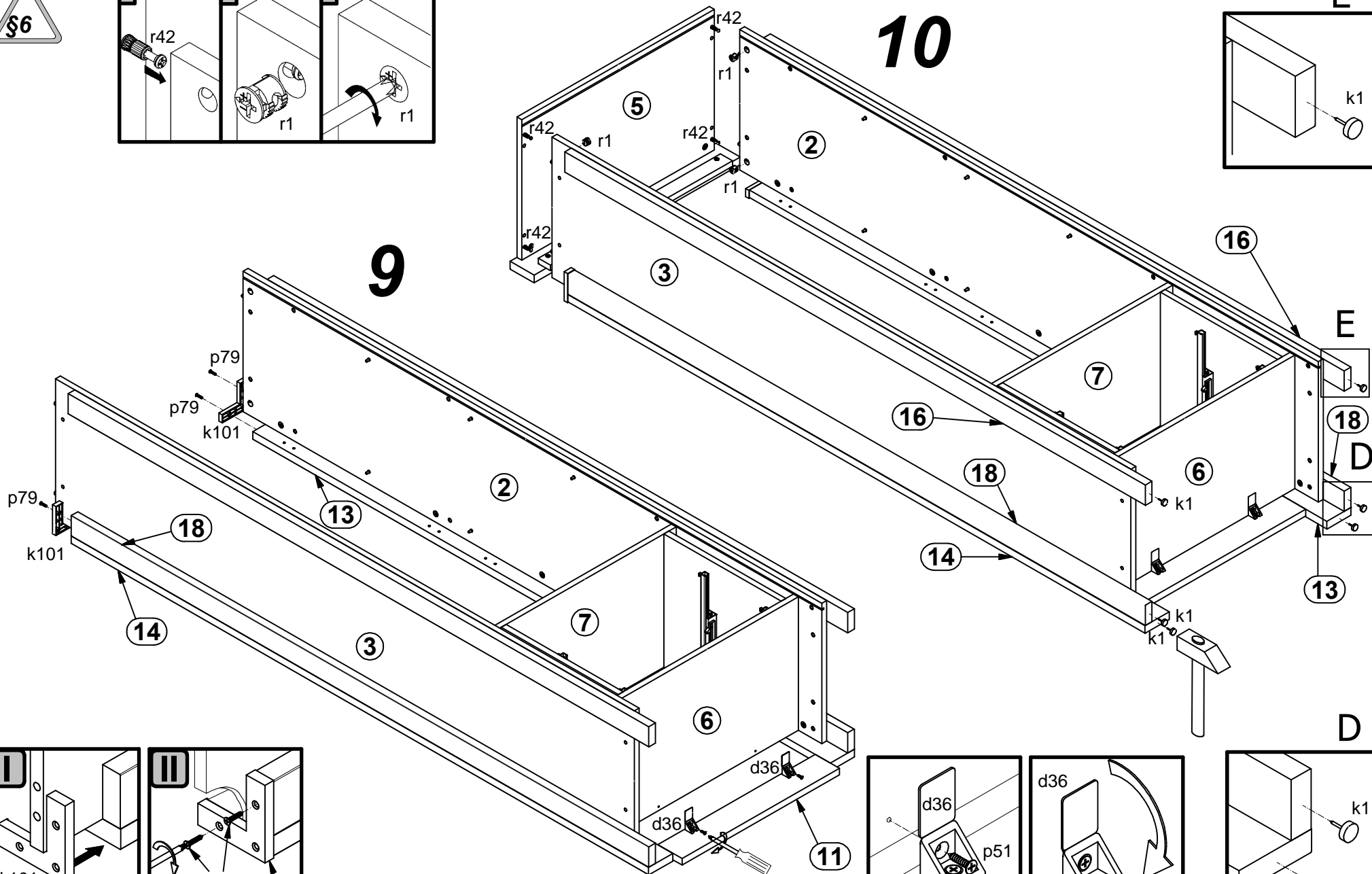
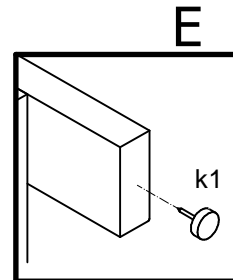
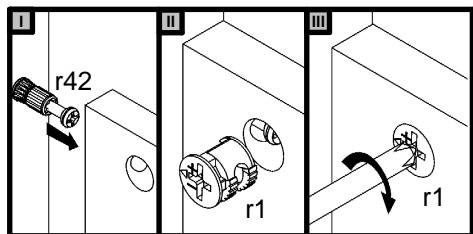


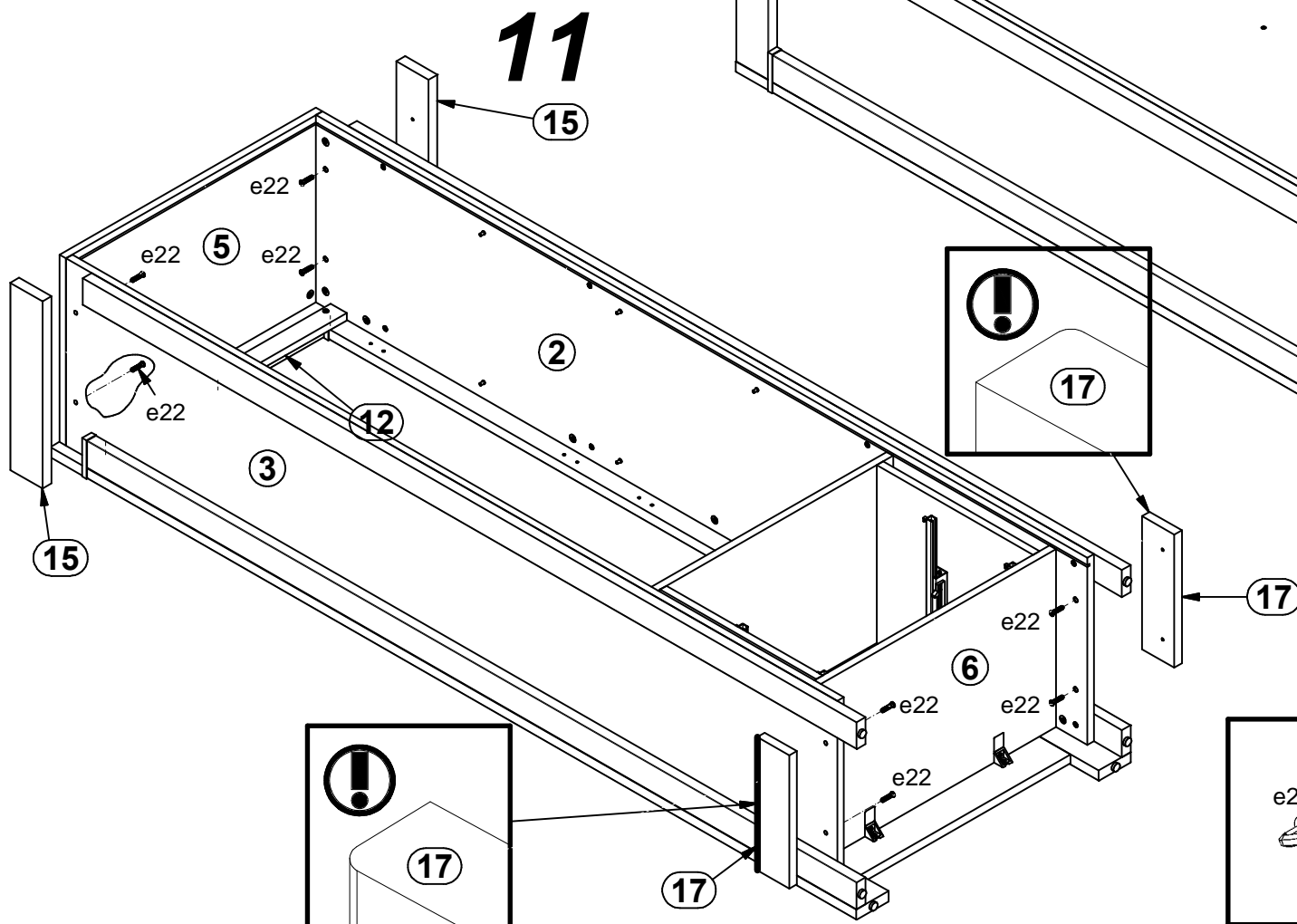
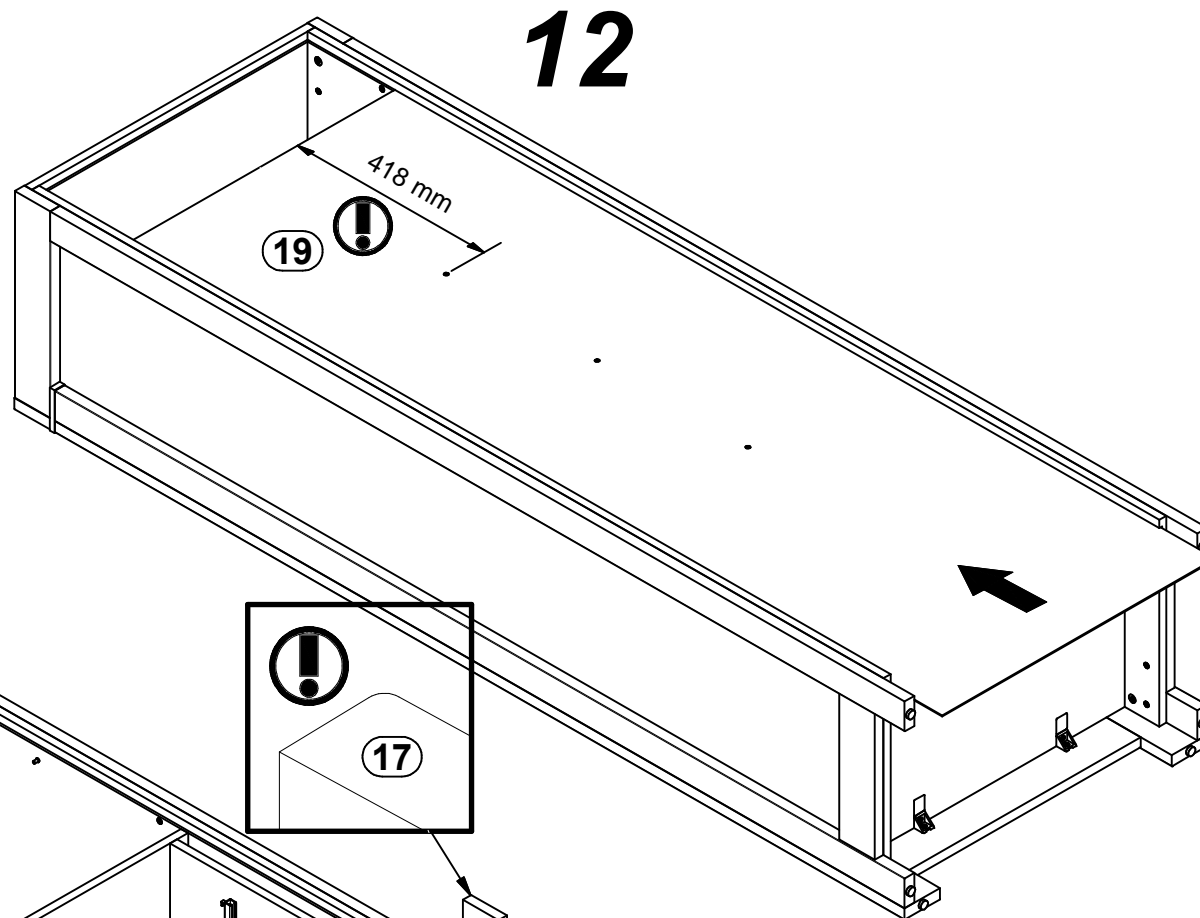
1

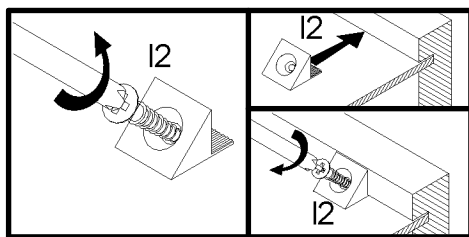




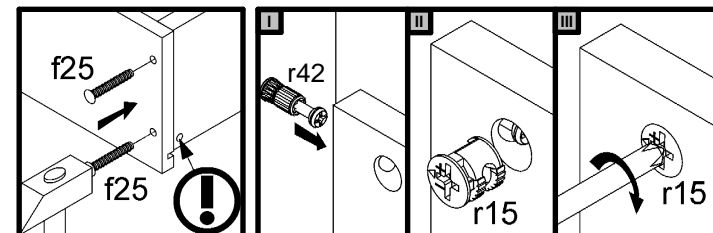
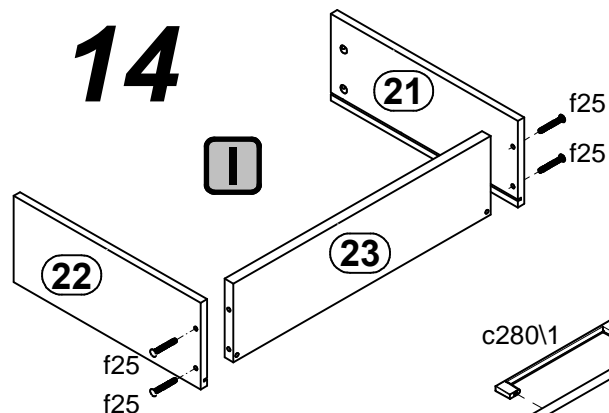




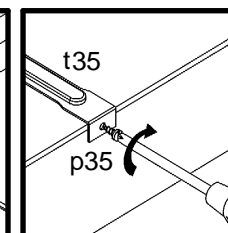
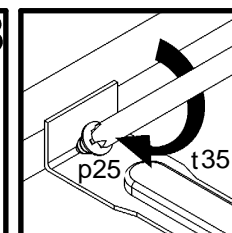
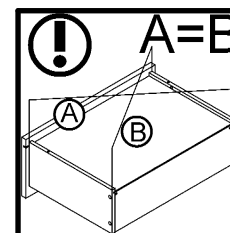
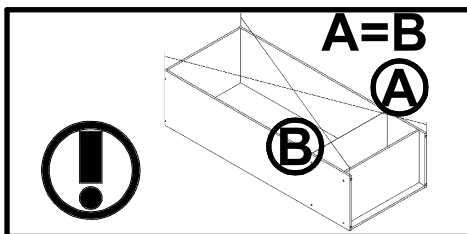
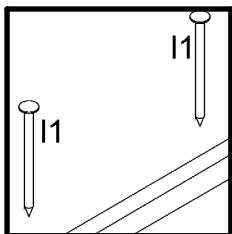
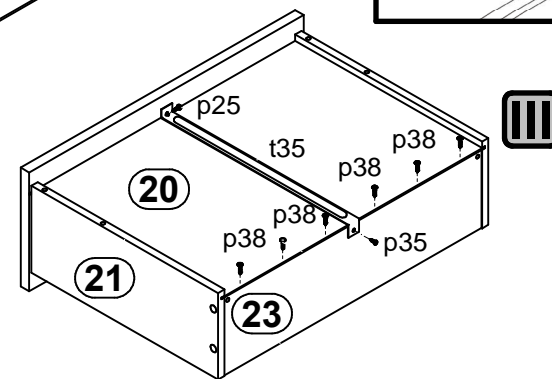
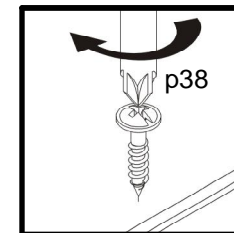
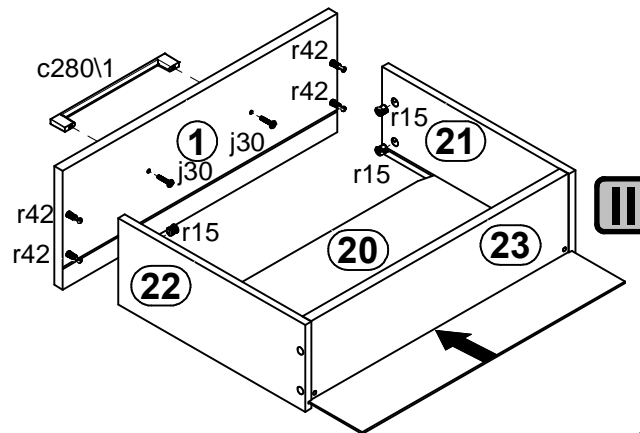
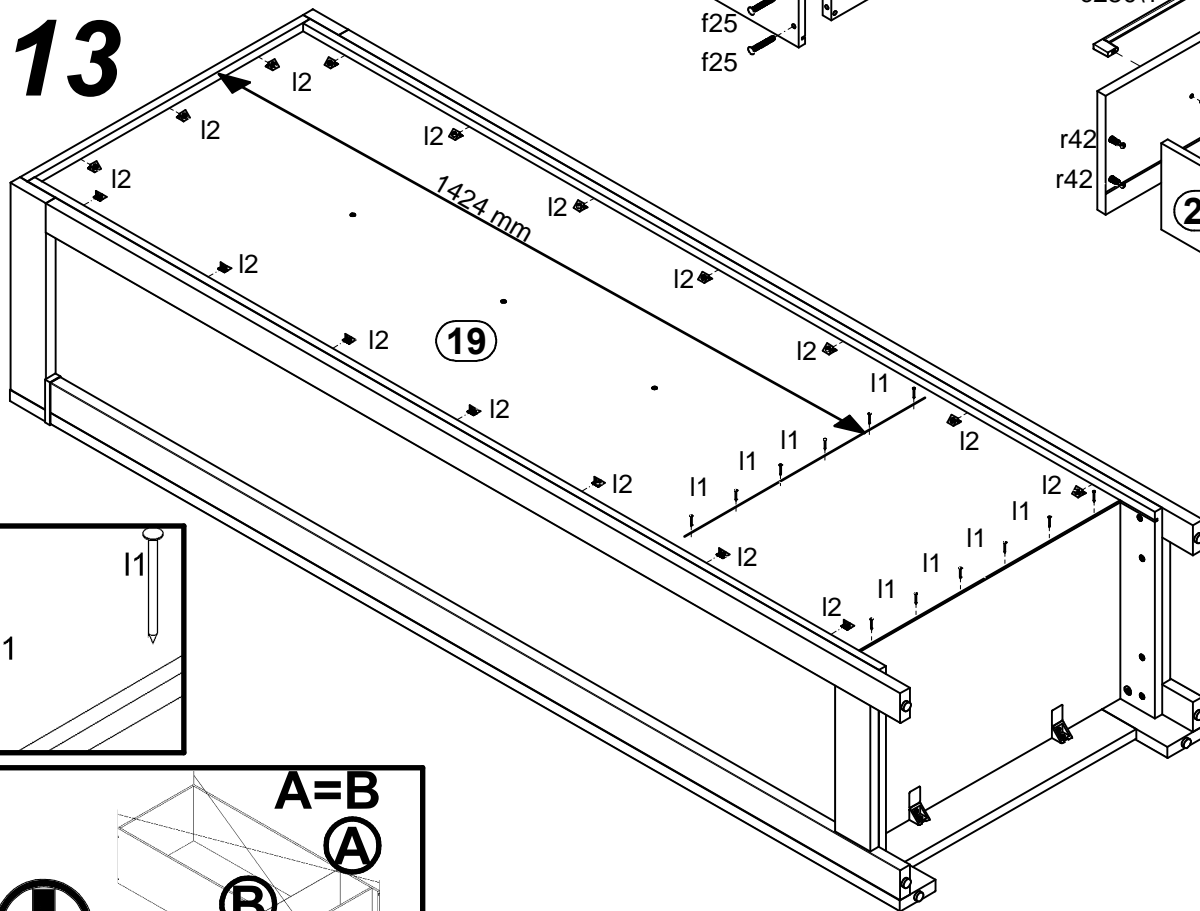


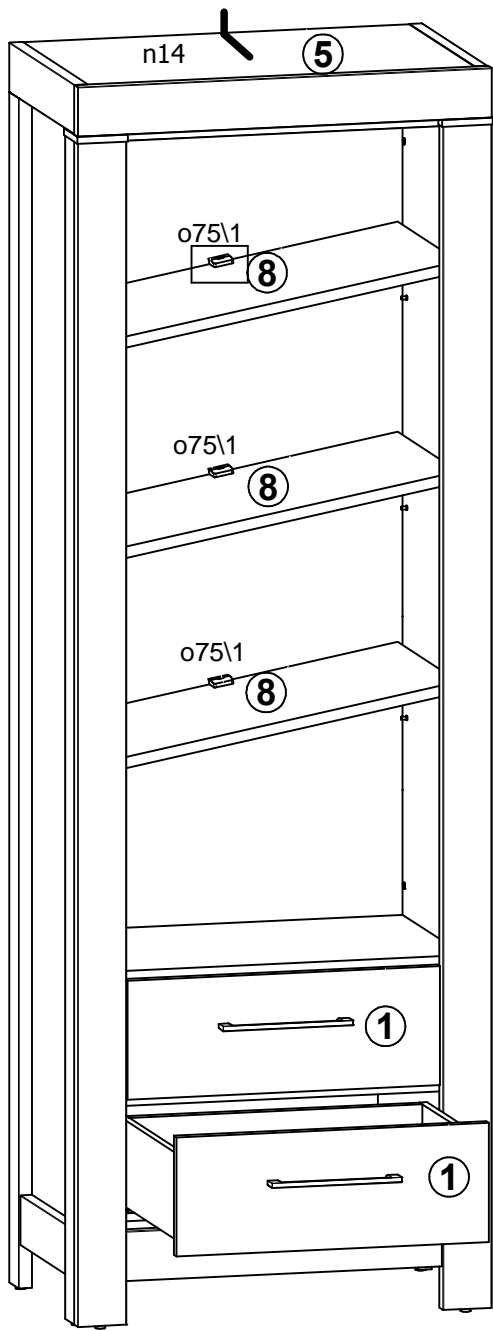


14



13





13 §6

