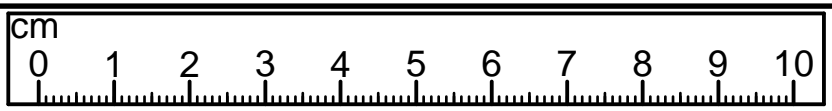
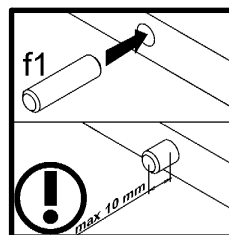
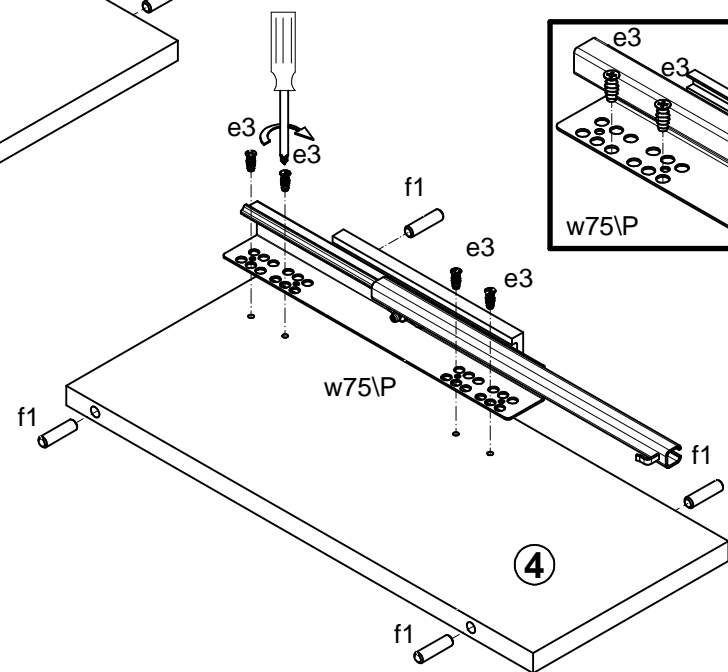
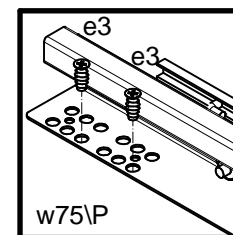
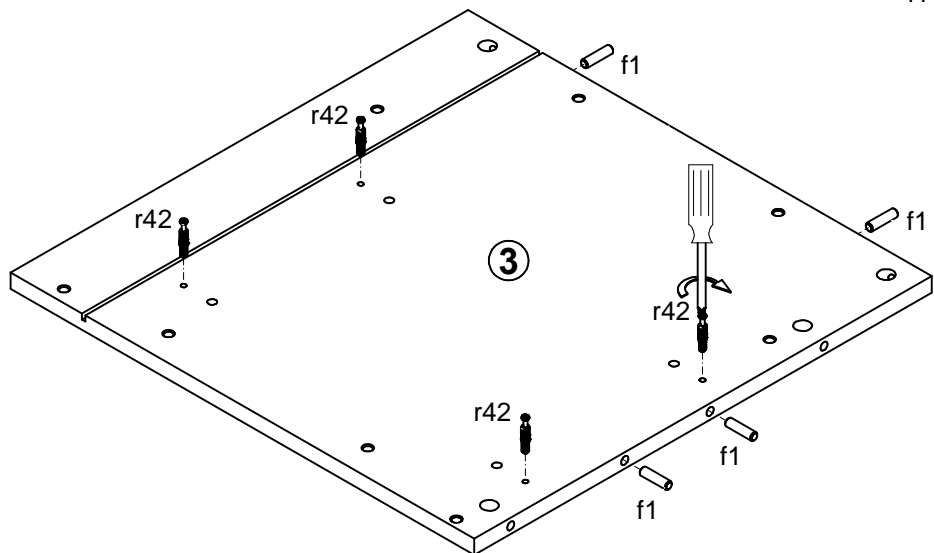
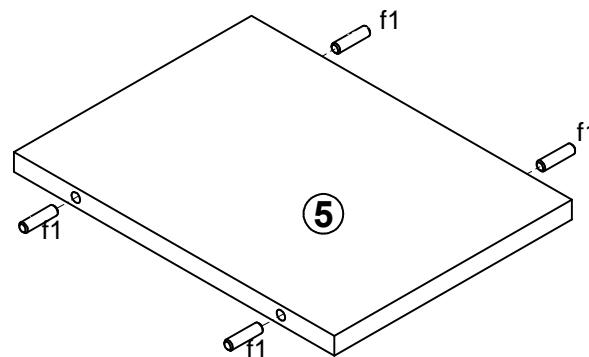
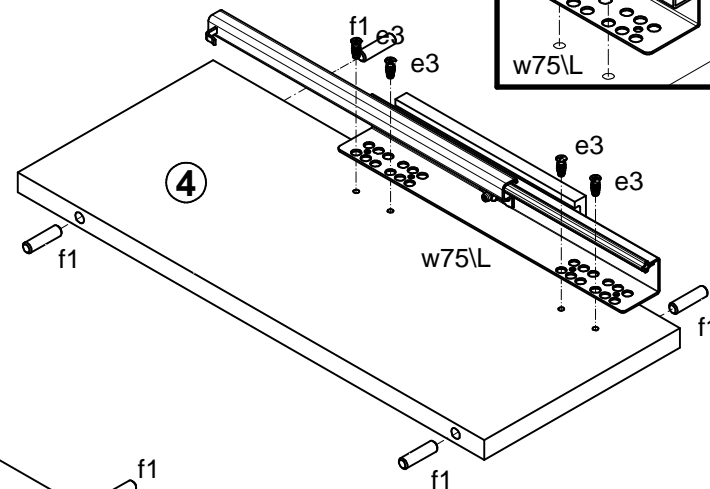
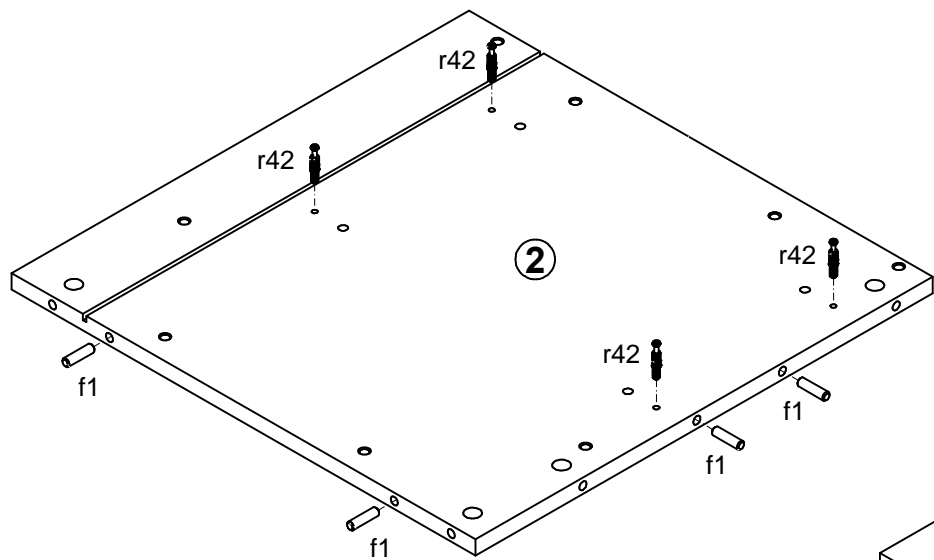
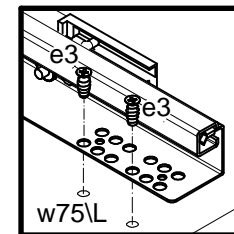
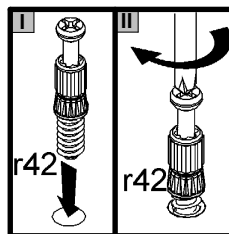


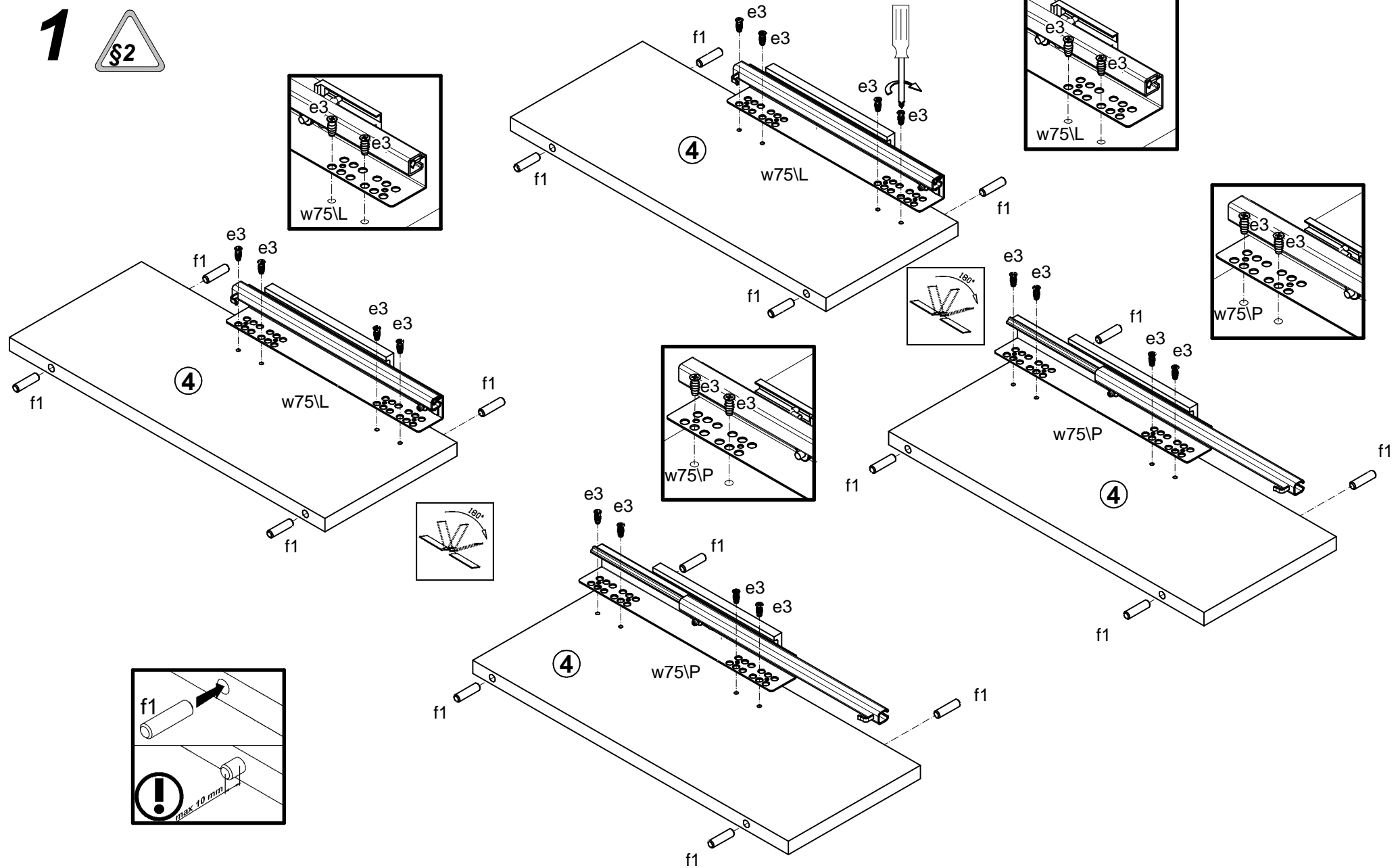
A	B	C (mm)		D
1	S228-006	604	192	1/2
2	S228-108	514	521	2/2
3	S228-109	514	521	2/2
4	S228-110	183	437	1/2
5	S228-111	222,5	300	1/2
6	S228-203	1955	521	2/2
7	S228-309	1923	437	1/2
8	S228-310	1923	437	1/2
9	S228-531	147	100	2/2
10	S228-5518	2000	80	2/2
11	S228-5519	1840	80	2/2
12	S228-5520	1920	40	2/2
13	S228-5521	511	80	2/2
14	S228-5522	511	80	2/2
15	S228-5523	521	80	2/2
16	S228-5524	521	58	2/2
17	S228-5525	405	80	2/2
18	S228-5526	511	58	2/2
19	S228-904	1933	440	2/2
20	WSP-957	568	408	1/2
21	WSQ4-507	400	140	1/2
22	WSQ4-508	400	140	1/2
23	WTQ-5054	558	127	2/2

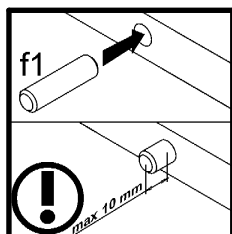
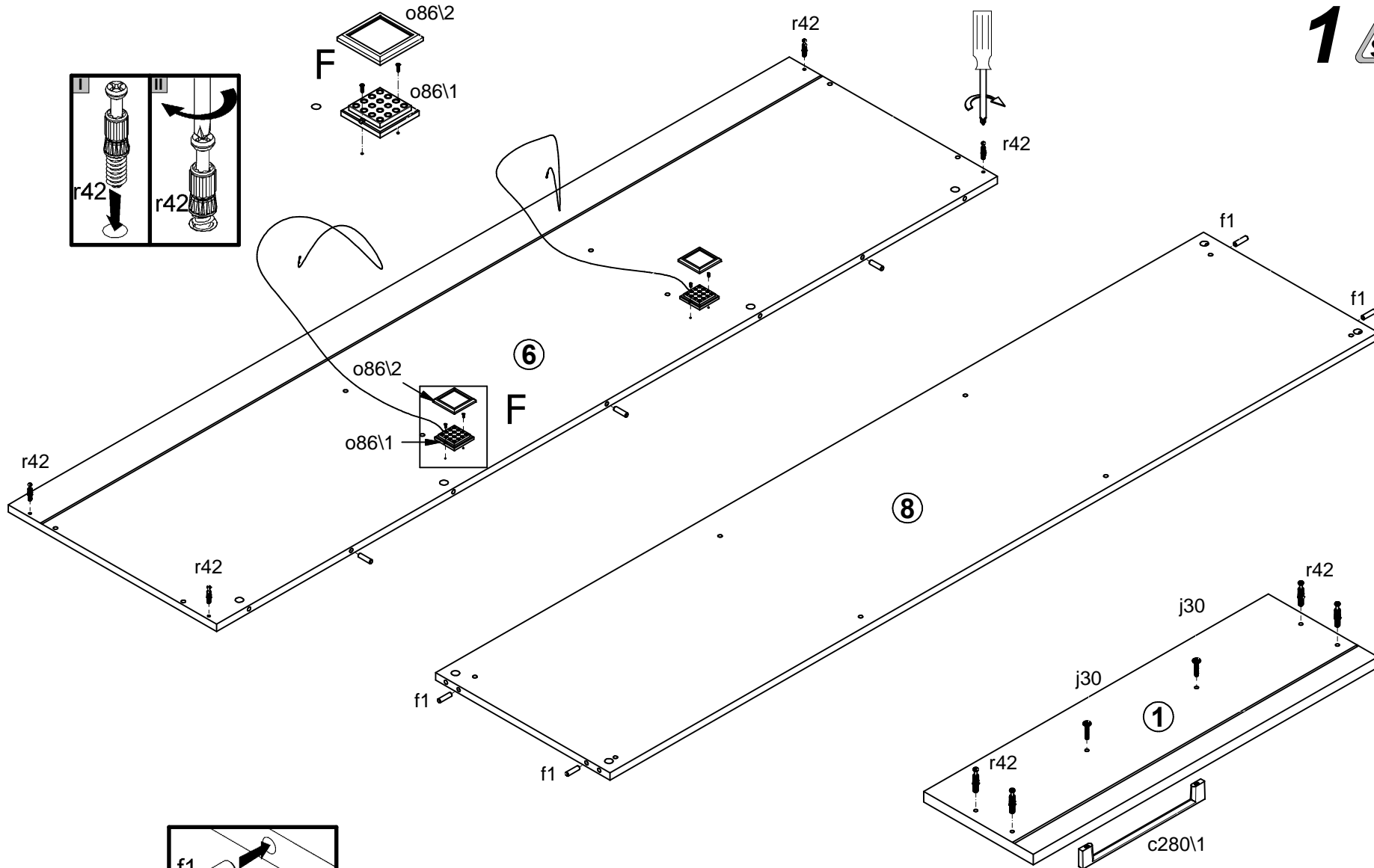
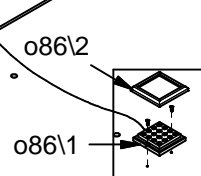
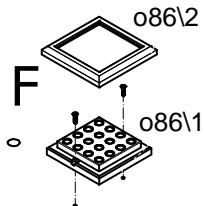
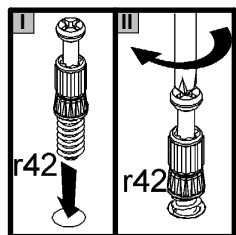


3x 192mm c280\1	4x d36	2x Ø7x50 mm e1	24 Ø6x13 mm e3	16x Ø7x28 mm e22	45x Ø8x30 mm f1	8x Ø8x20 mm f13	12x Ø6,5x40 mm f25	6x M4x22 mm j30	8x k1	2x 83x83x11 k101	40x l1	11x l2
2x Ø60\1	2x Ø60\2	1x 5W Ø75\2	1x Ø80\3	3x Ø3,5x16 mm p25	3x Ø3,5x10 mm p35	18x Ø3,5x16 mm p38	8x Ø3,5x15 mm p51	5x Ø4x25 mm p8	20x Ø15x12 mm #16 r1	12x Ø12x10,5 mm #12 r15	32x r42	3x 400 mm t33
3x 400 mm w75L	3x 400 mm w75P	1x z1	4x Ø3,5x20 mm p79	2x s1	2x Ø16 s2							

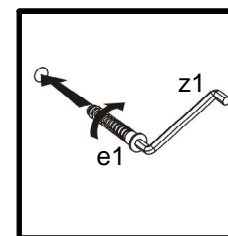
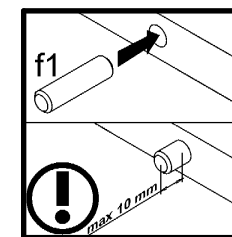
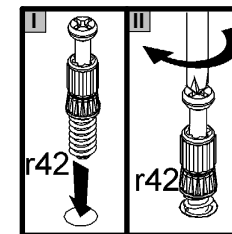
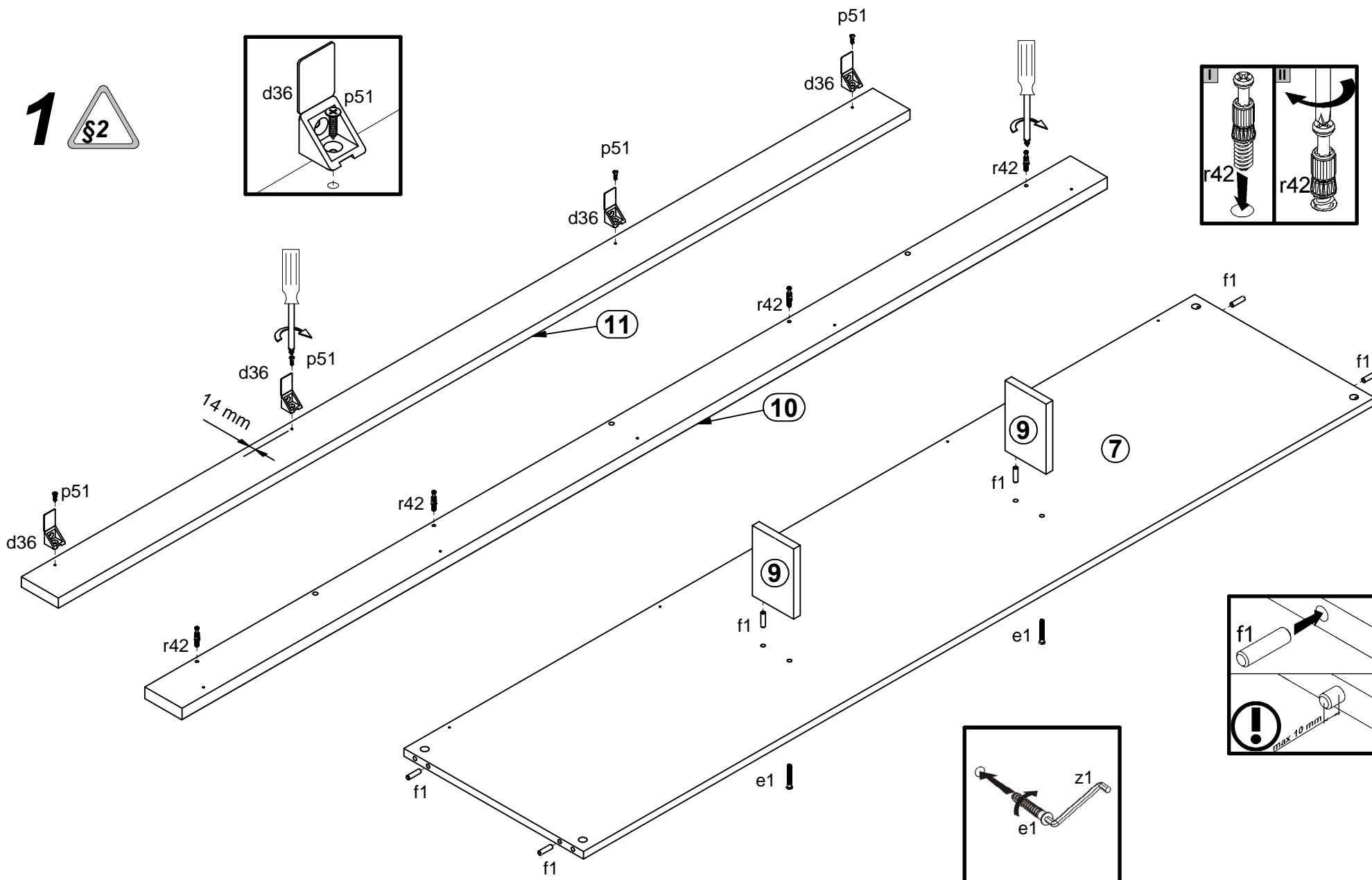
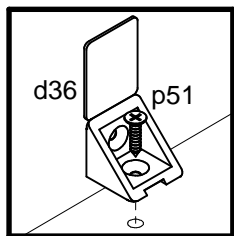


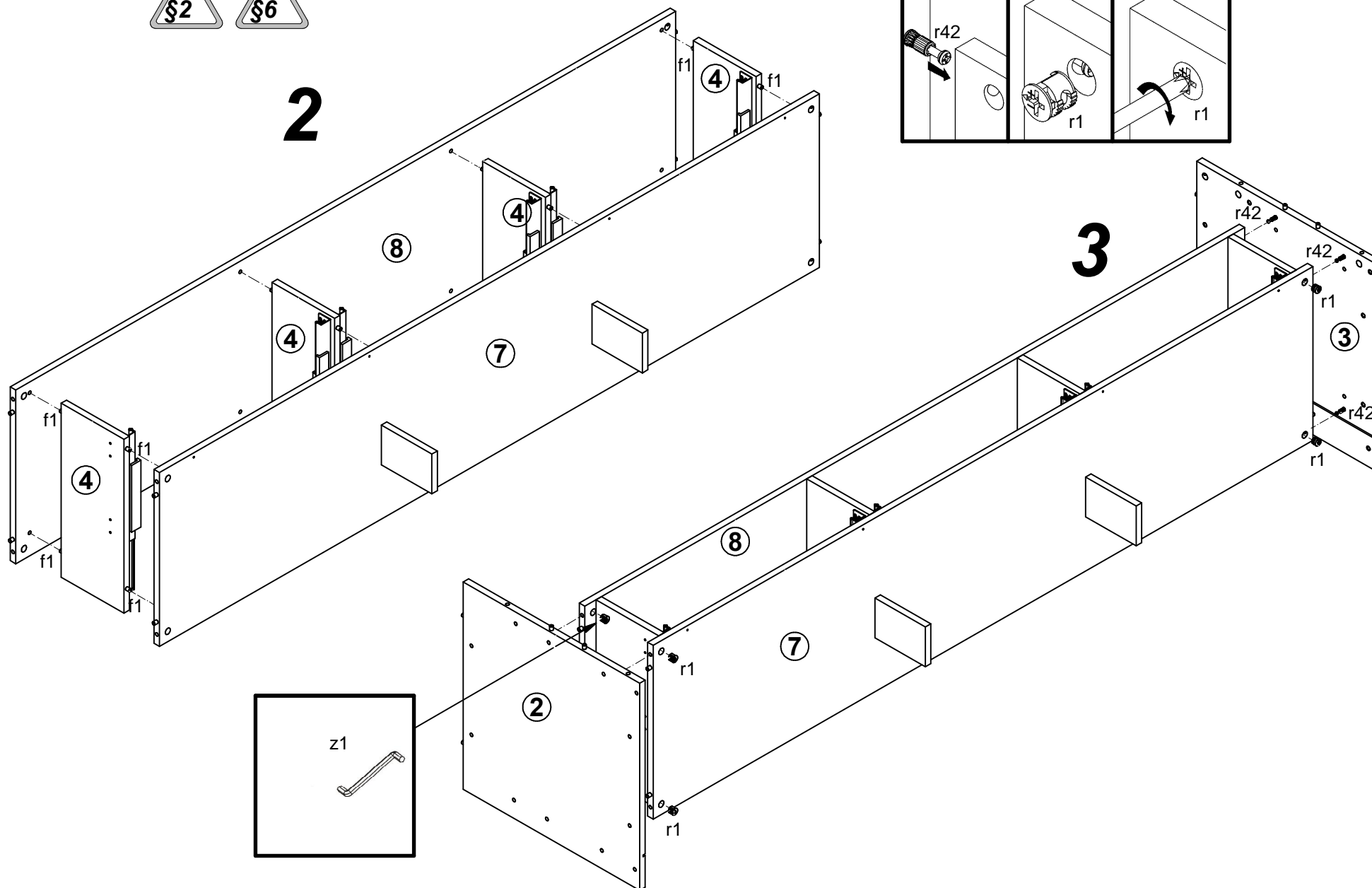
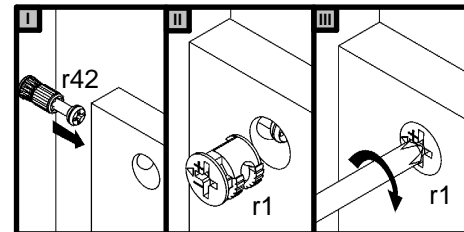
1

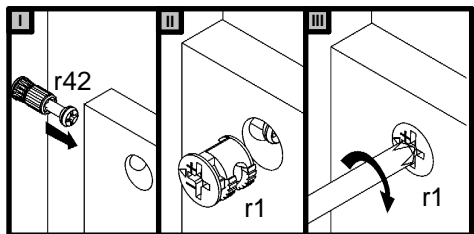




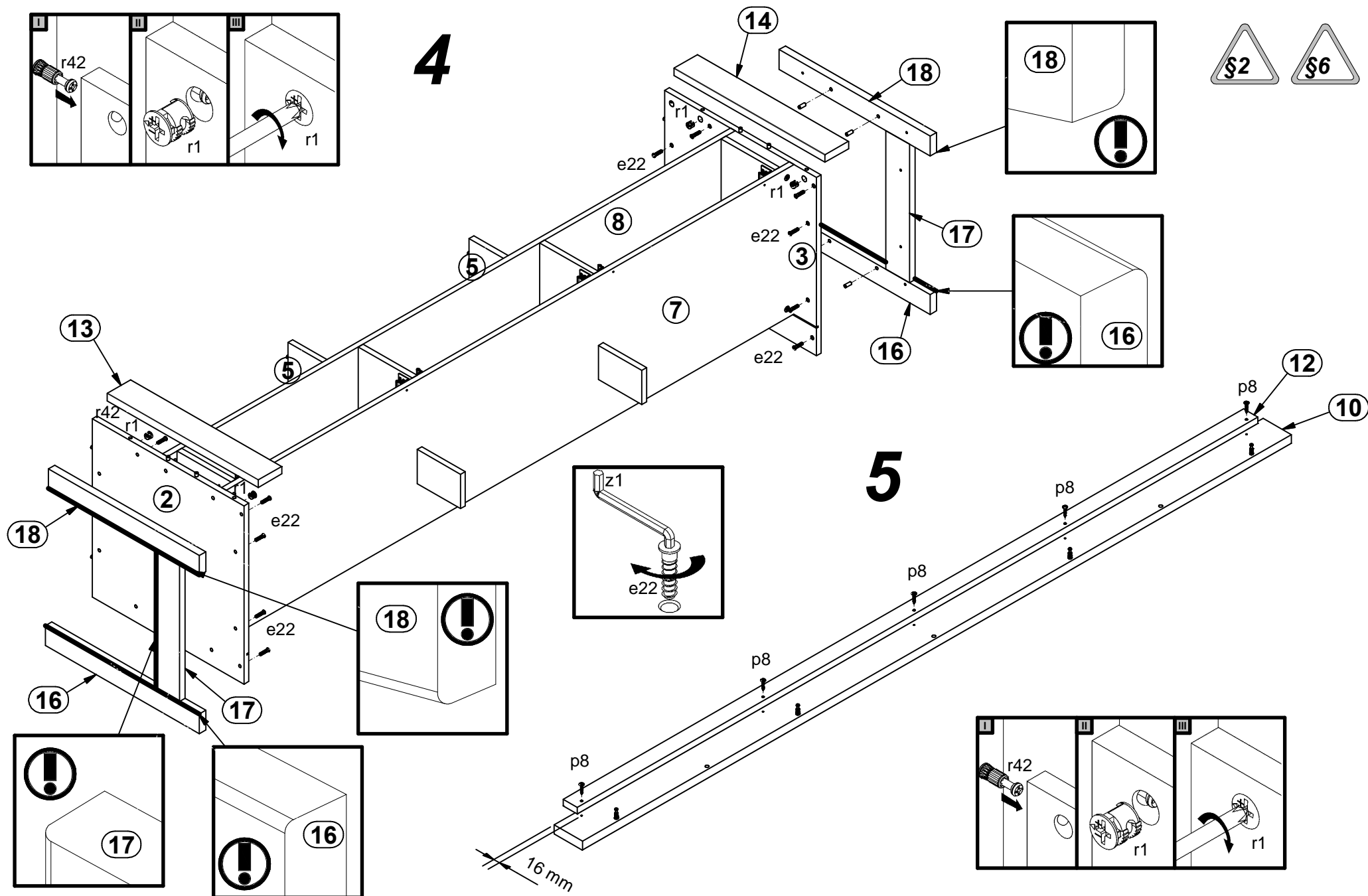
1 §2



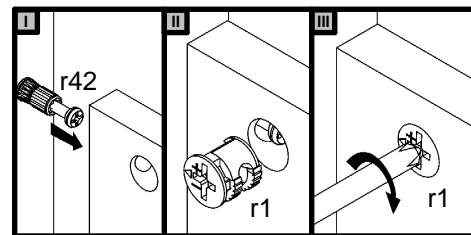
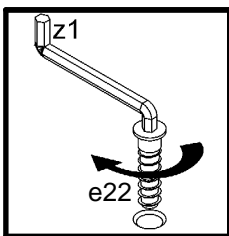




4



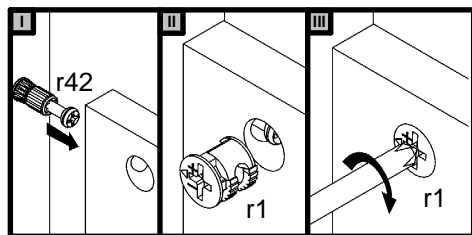
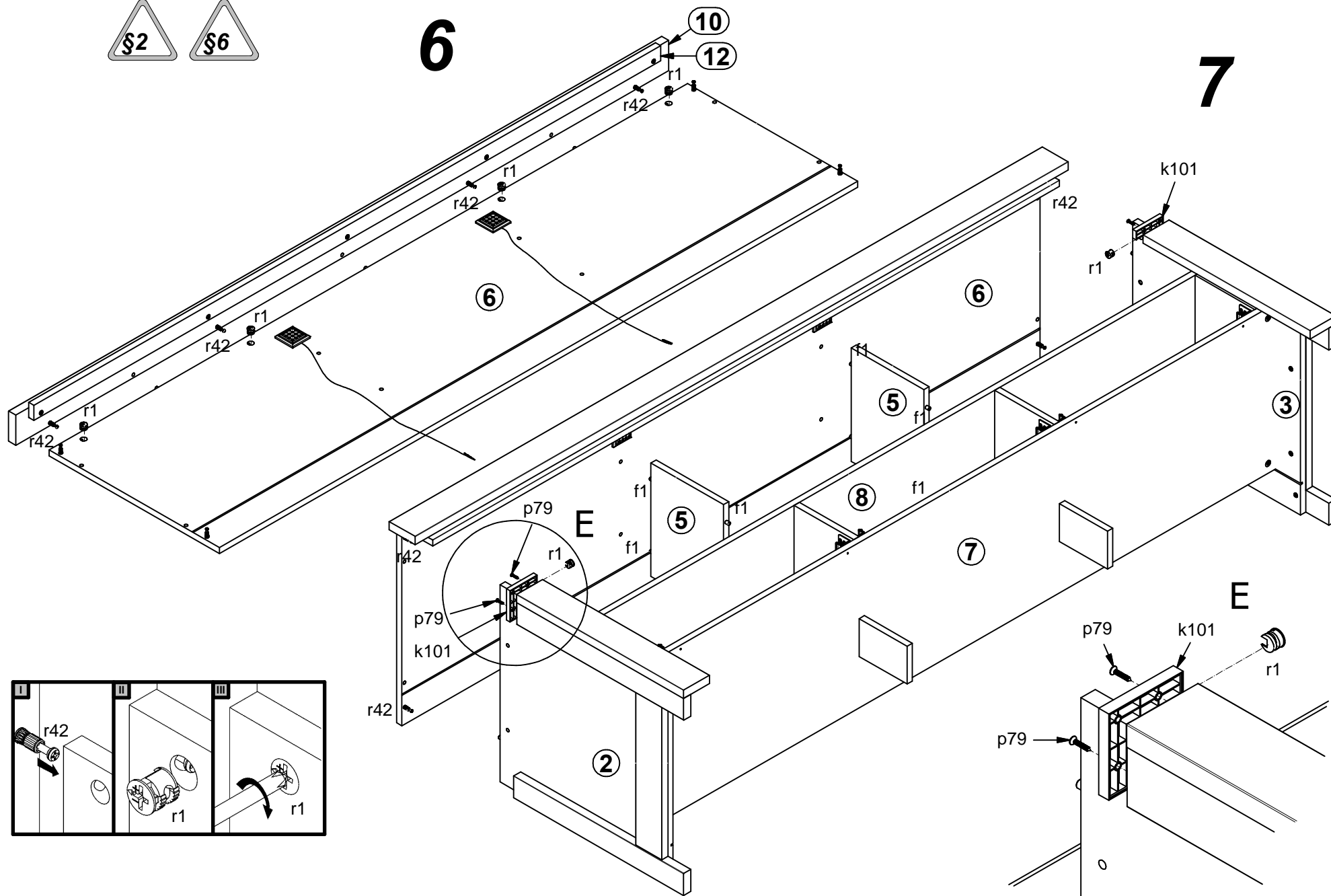
5





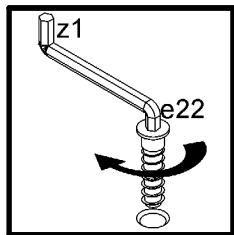
6

7





8



15

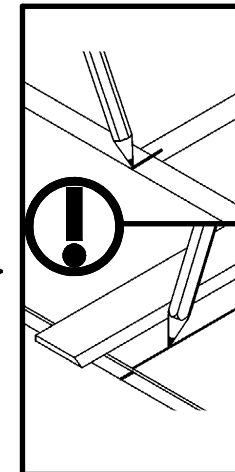
6

7

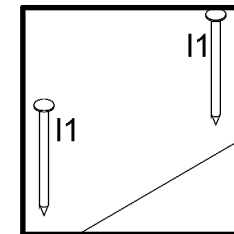
19

11

3



9



15

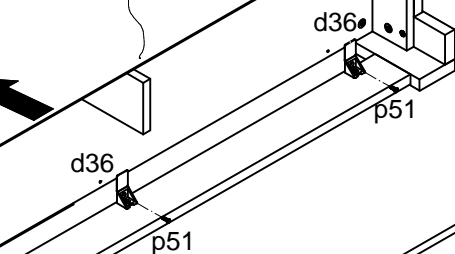
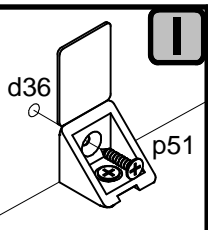
e22

d36

p51

d36

p51



d36

p51

d36

p51

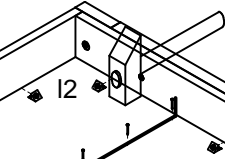
3

l2

l1

l2

l1



l2

l1

l2

l1

l2

l1

l2

l1

l2

l1

l2

l1

l2

l1

l2

l1

l1

l1

l1

l1

l1

l1

l1

l1

l1

l1

l1

l1

l1

l1

l1

l1

l1

l1

l1

l1

l1

l1

l1

l1

l1

l1

l1

l1

l1

l1

l1

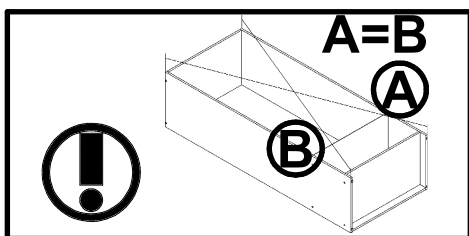
l1

l1

l1

l1

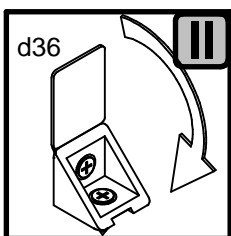
l1



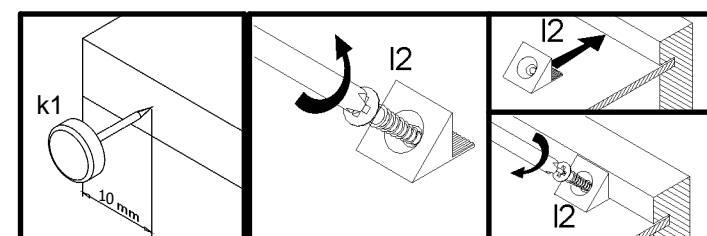
A=B

A

B



d36



k1

10 mm

l2

l2

l2

l2

l2

l2

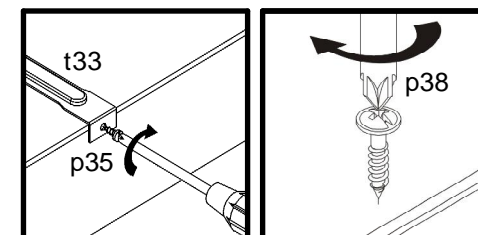
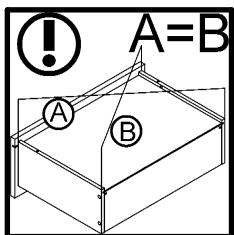
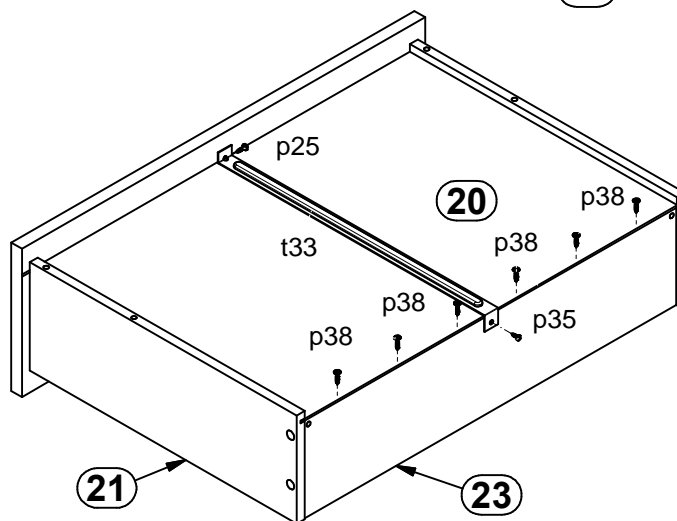
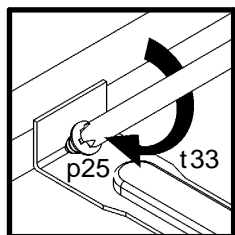
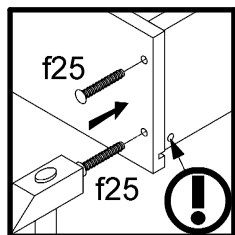
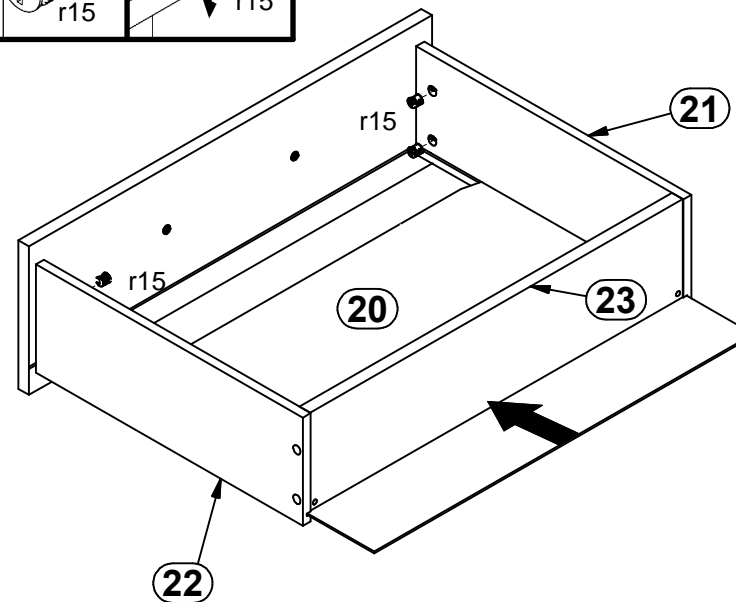
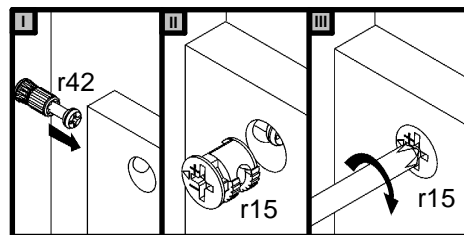
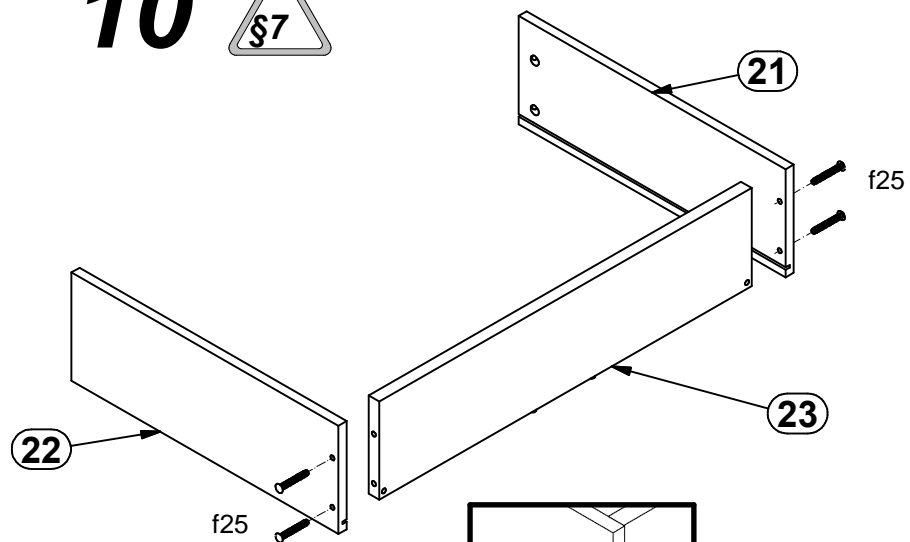
l2

l2

l2

l2

10



11

