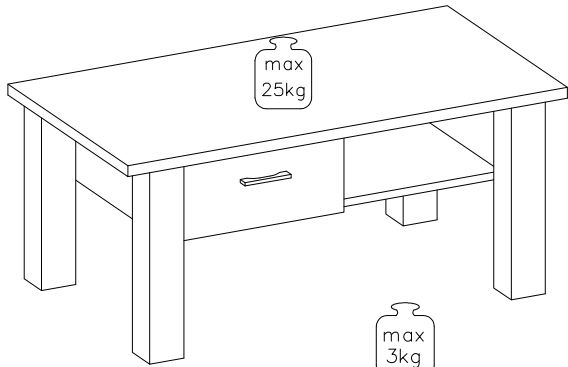
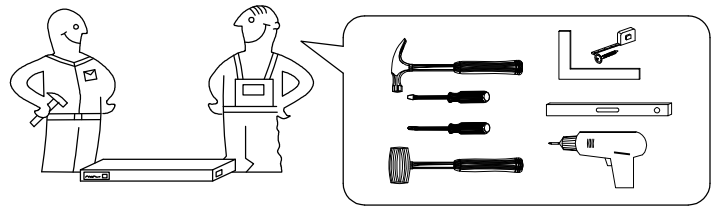
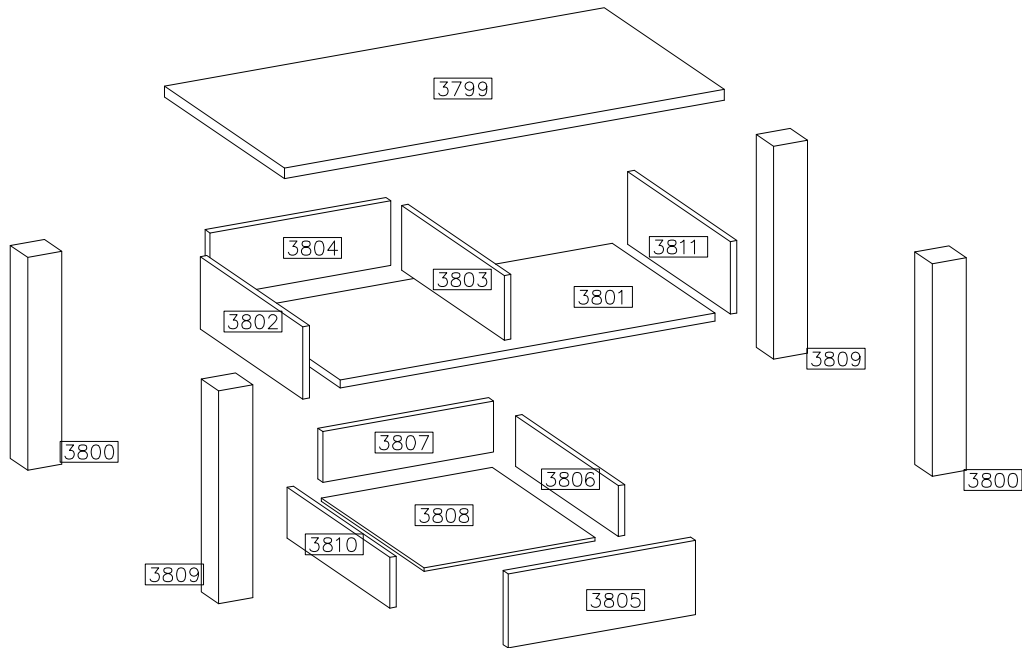
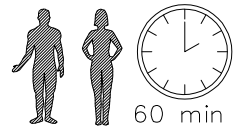
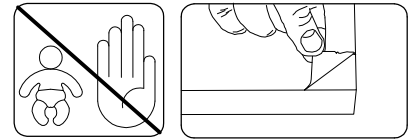
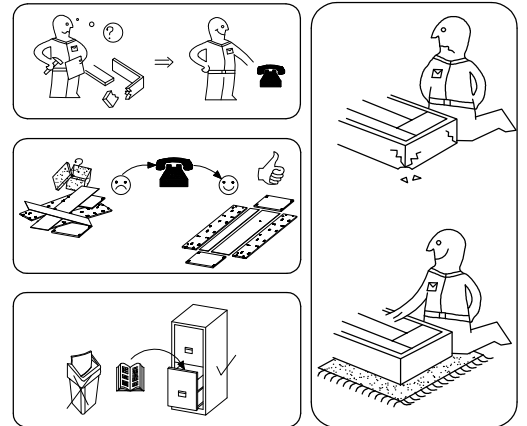
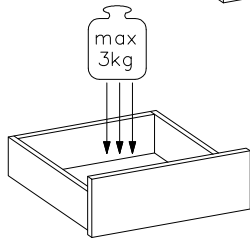
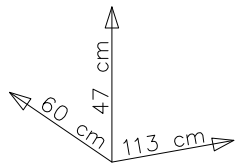


# CROWN X

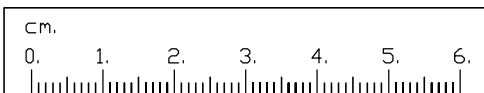
## 29E4DG/DW02



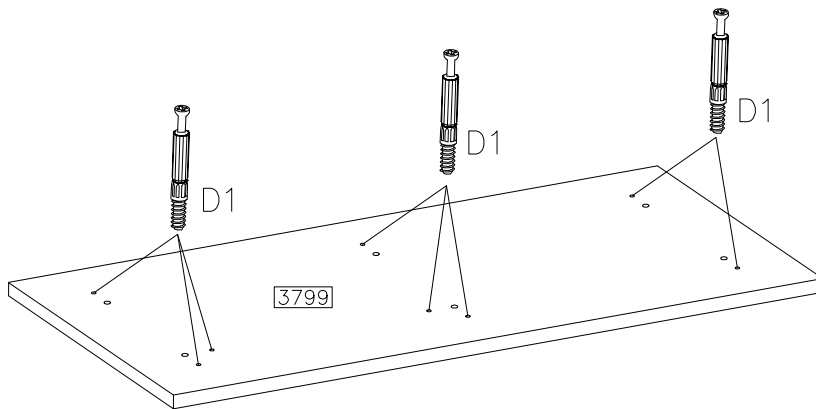
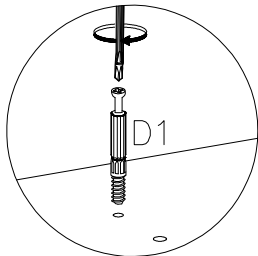
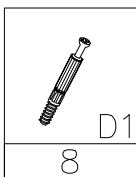
#	ART. NR	L	W	T	Q	Col.No
1	3799	1130	600	22	1	1
2	3800	448	70	50	2	1
3	3809	448	70	50	2	1
4	3801	986	480	16	1	1
5	3802	210	480	16	1	1
6	3803	194	480	16	1	1
7	3804	194	485	16	1	1
8	3805	490	205	16	1	1
9	3806	350	140	16	1	1
10	3807	437	125	16	1	1
11	3808	452	358	2,5	1	1
12	3810	350	140	16	1	1
13	3811	210	480	16	1	1



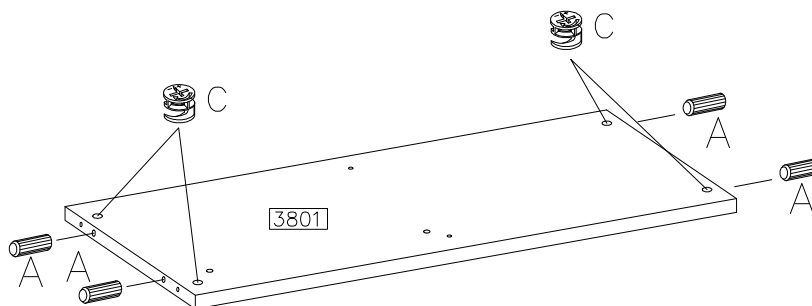
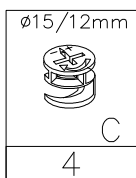
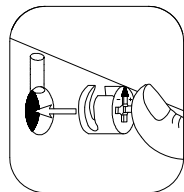
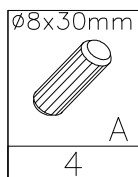
 A 24	 B 4	 C 22	 D1 22	 E 22	 E1 4	 PR1 1KPL	 P9 2	 U 4	 P1 5
 O 1	 S1 1	 R2 2	 P8 2	 T5 2	 F9 8	 P7 2			



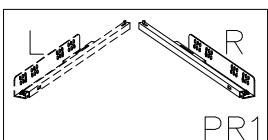
1



2



3



ø5.0x13mm



2

4

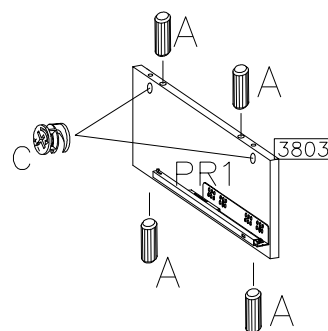
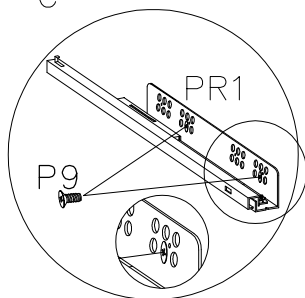
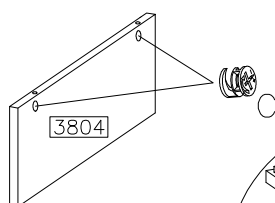
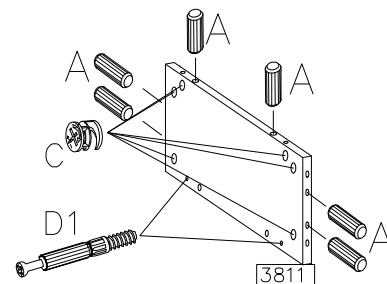
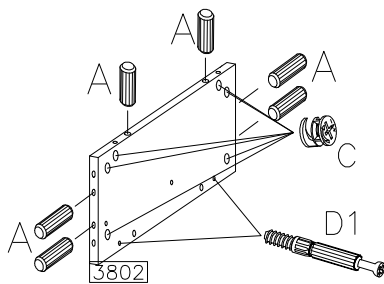
ø8x30mm

ø15/12mm

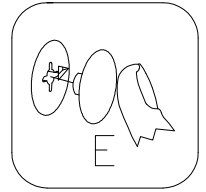
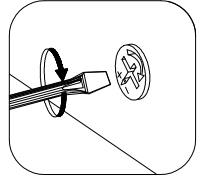
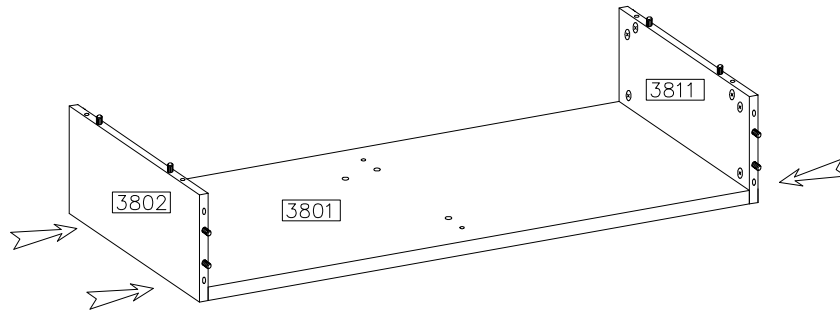
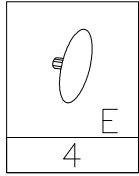


16

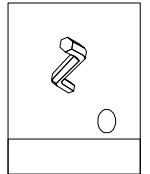
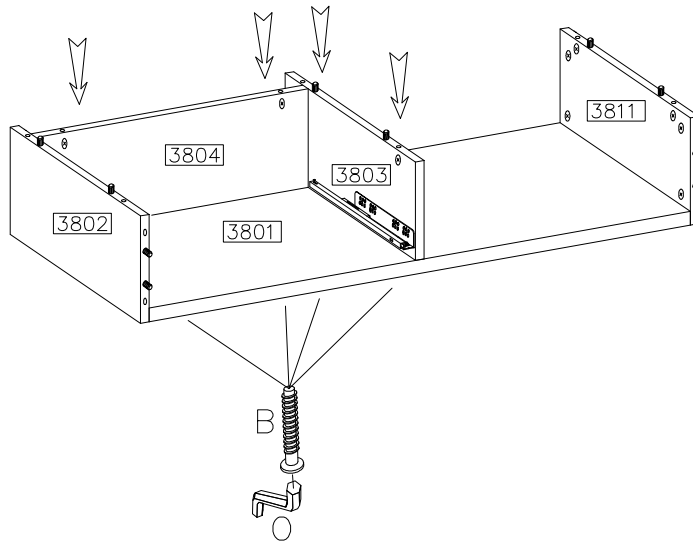
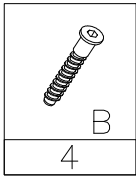
16



4

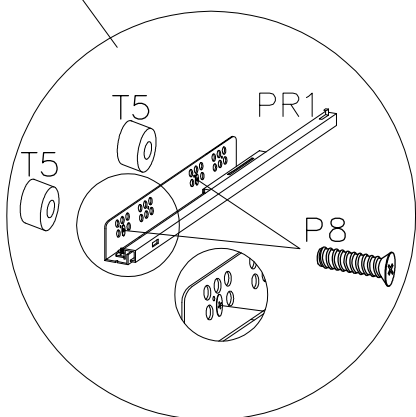
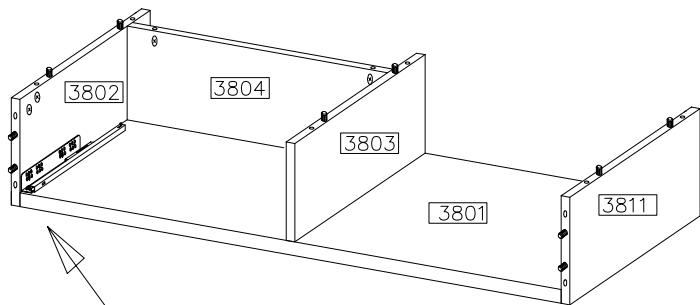


5



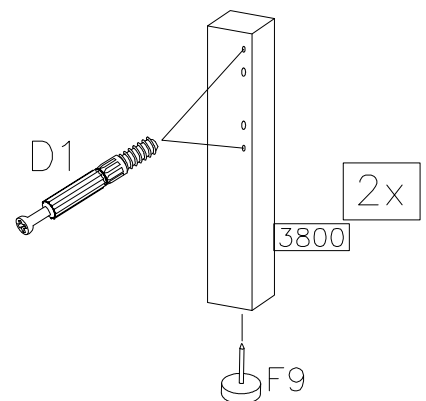
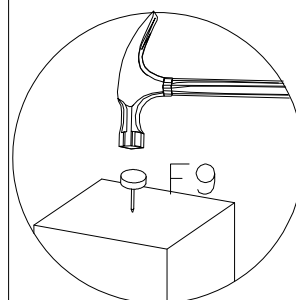
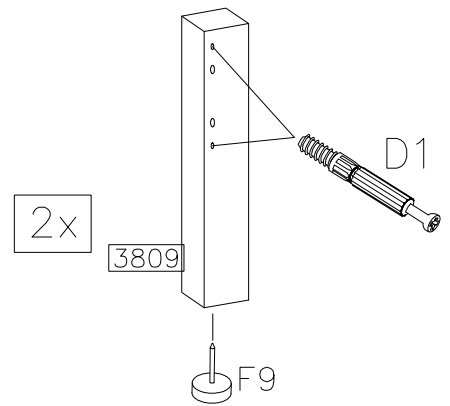
6

<p>ø5.0x20mm P8</p>	<p>T5</p>	<p>L R PR1</p>
2	2	0,5KPL

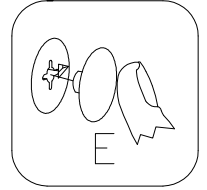
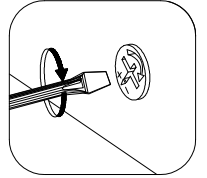
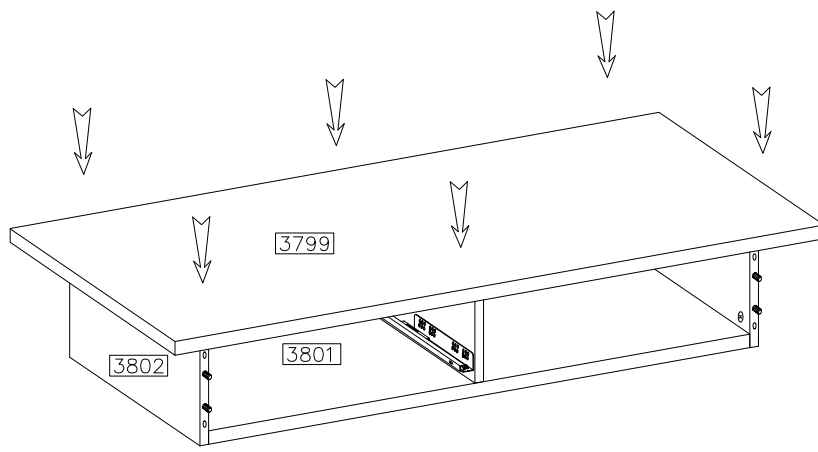
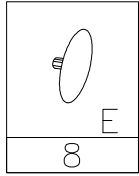


7

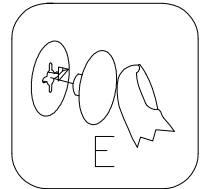
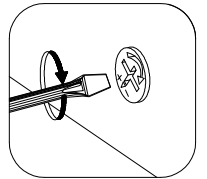
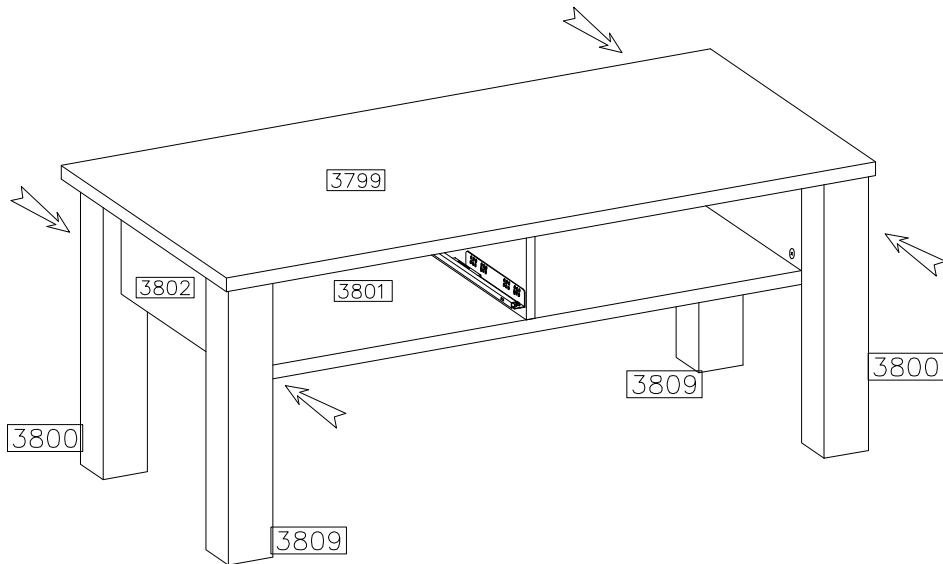
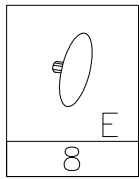
<p>D1</p>
8
<p>F9</p>
8



8



9



10

∅8x30mm



A

4

∅15/12mm



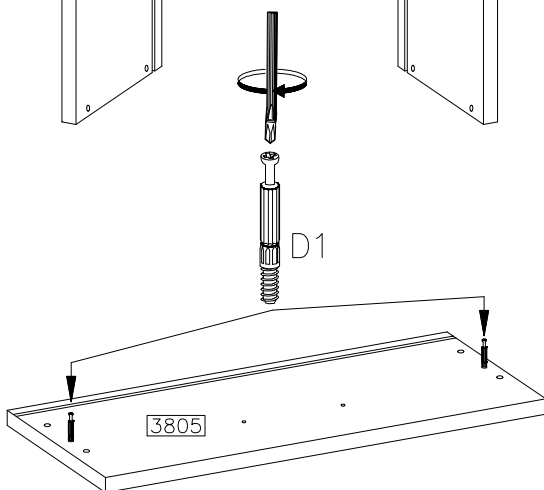
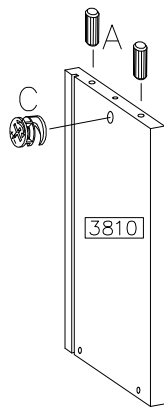
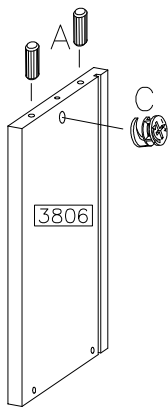
C

2



D1

2



11



U

4

