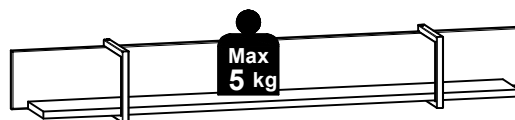
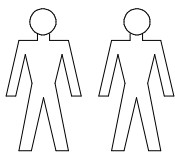
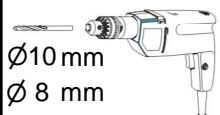
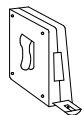
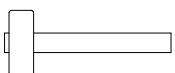
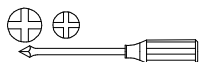
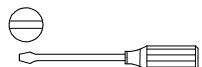


**A****S507-P/2/16****10H9--41**

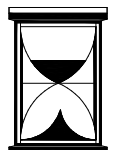
2 / 5



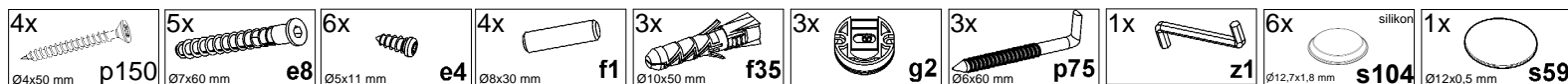
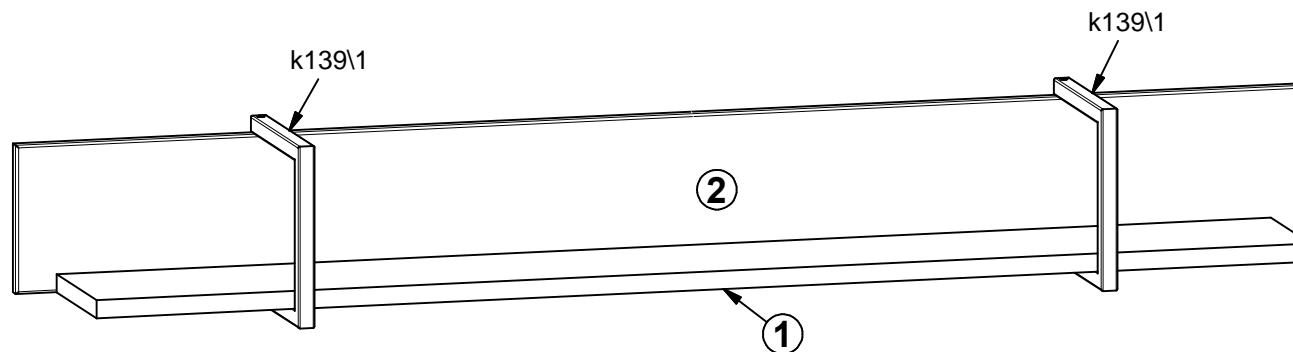
| A | B         | C1   | C2  | C3 | D   |
|---|-----------|------|-----|----|-----|
| 1 | S507-3016 | 1500 | 183 | 22 | 1/1 |
| 2 | S507-4506 | 1600 | 180 | 16 | 1/1 |
| 3 | k139\1    |      |     |    | 1/1 |



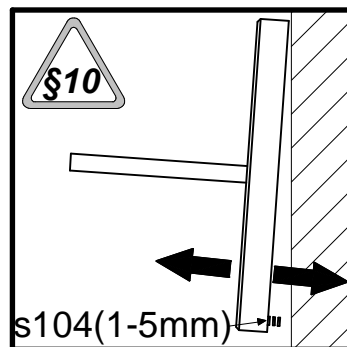
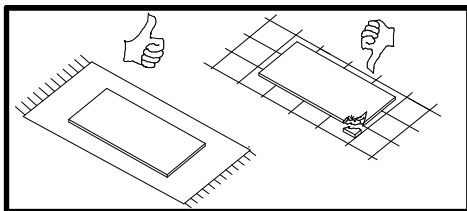
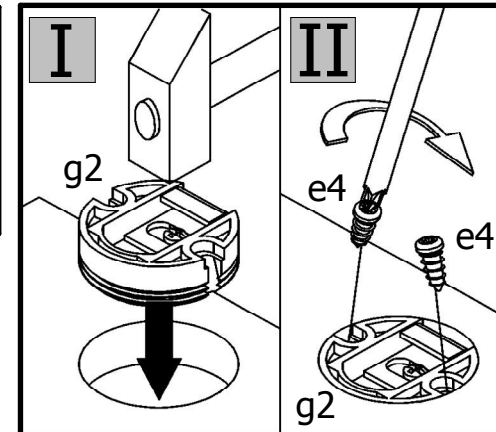
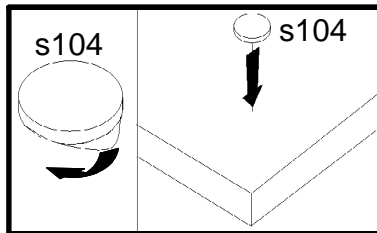
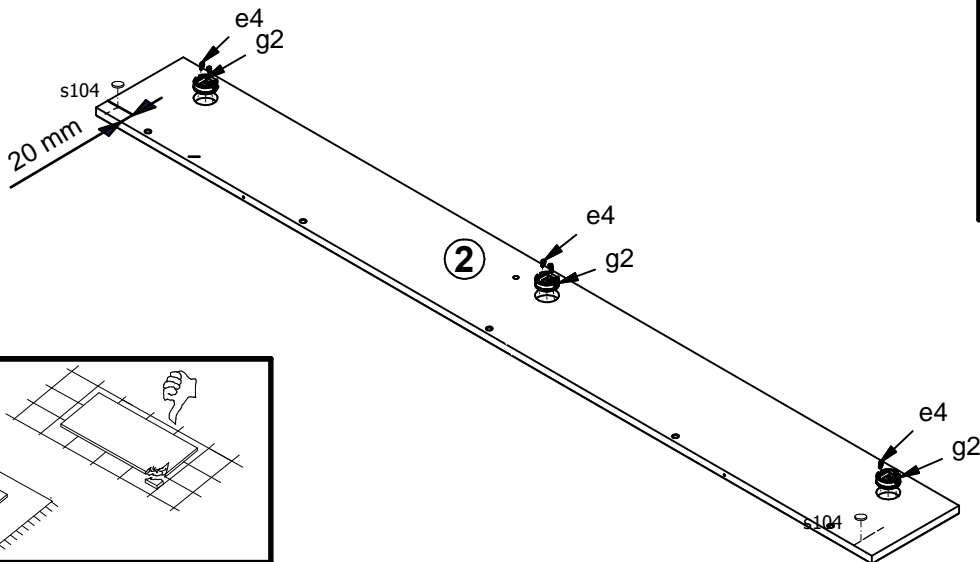
∅10 mm  
∅ 8 mm



**30min**

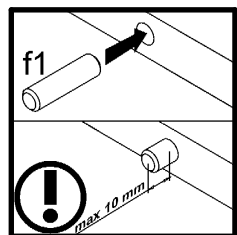
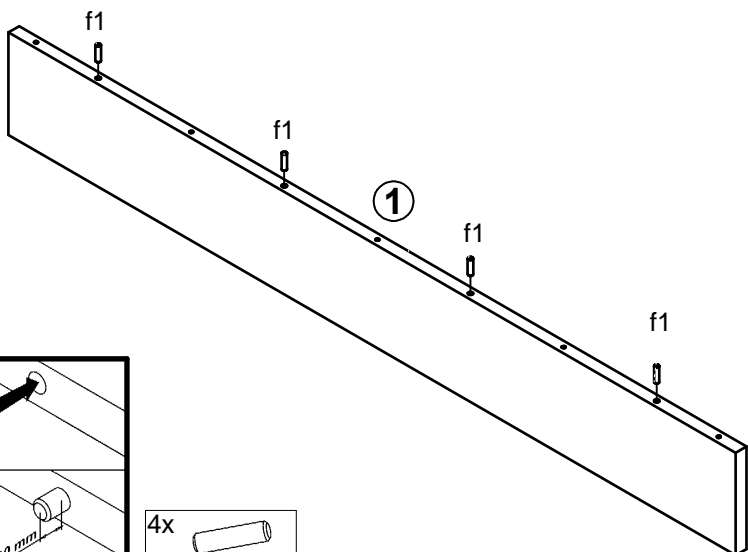


1 §2



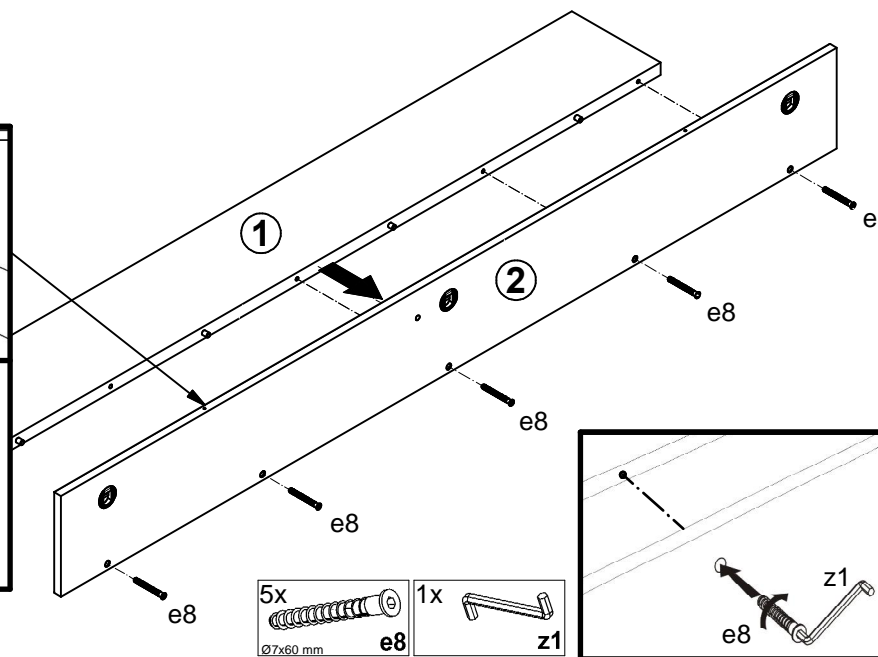
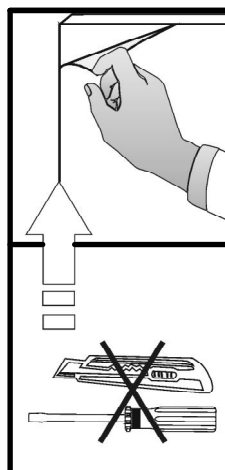
- 3x g2
- 6x e4
- 6x g2
- silikon s104

1

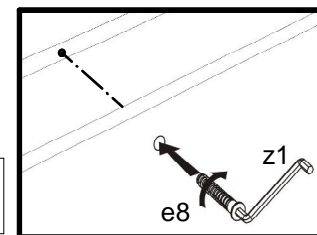


- 4x f1

2 §6



- 5x e8
- 1x z1





4

