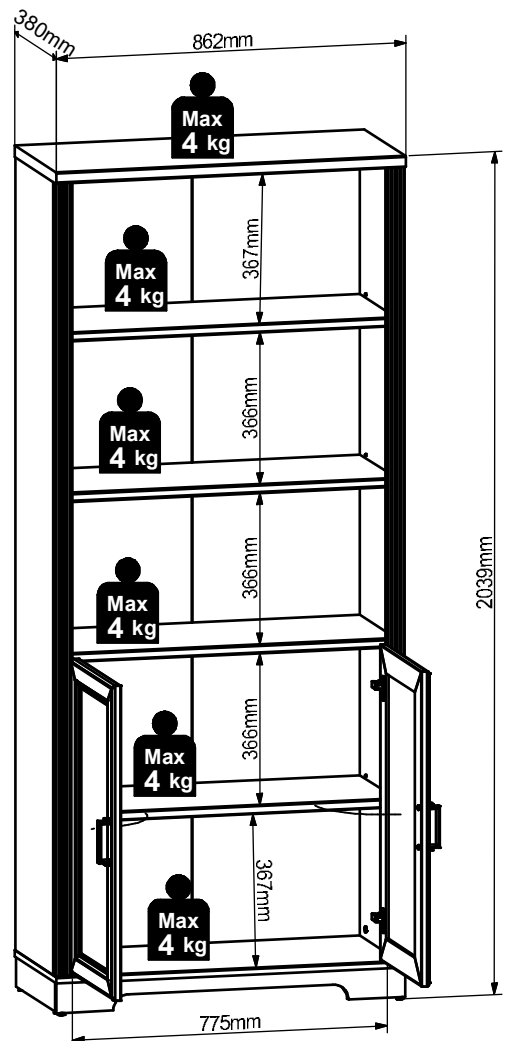
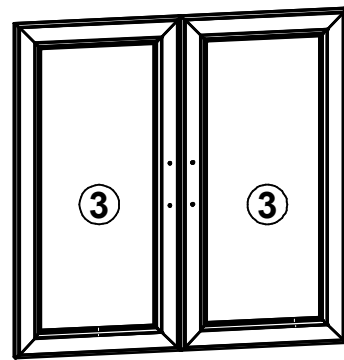
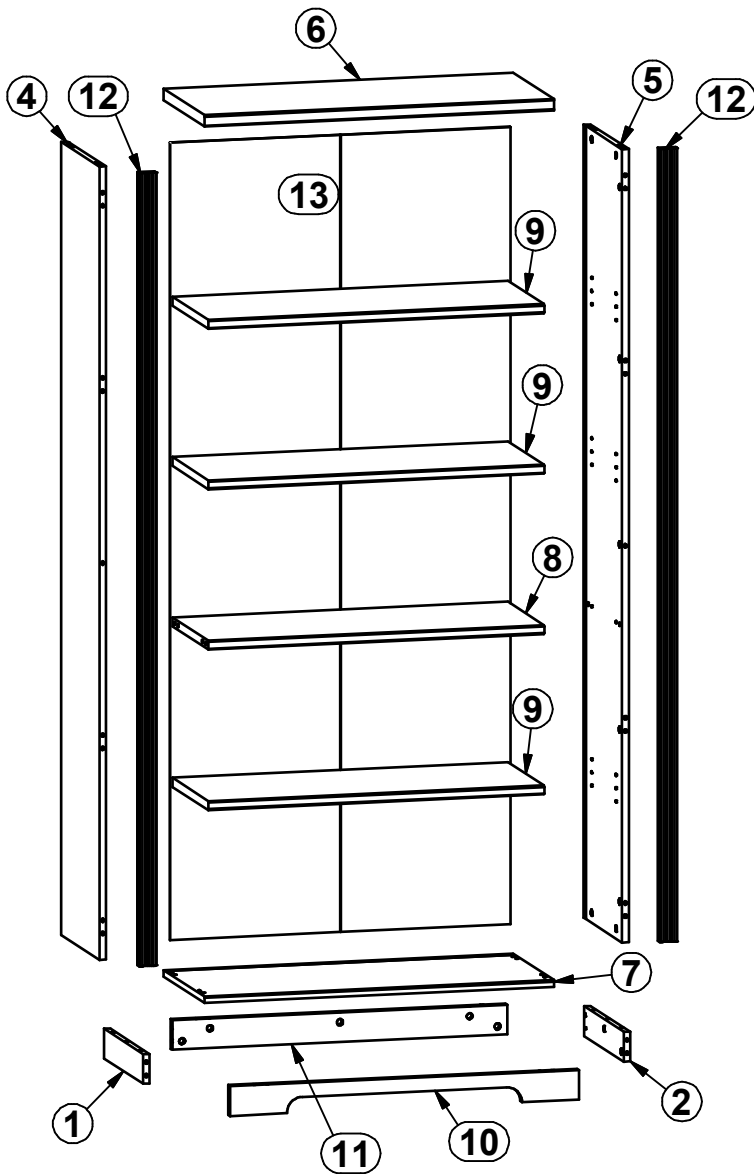
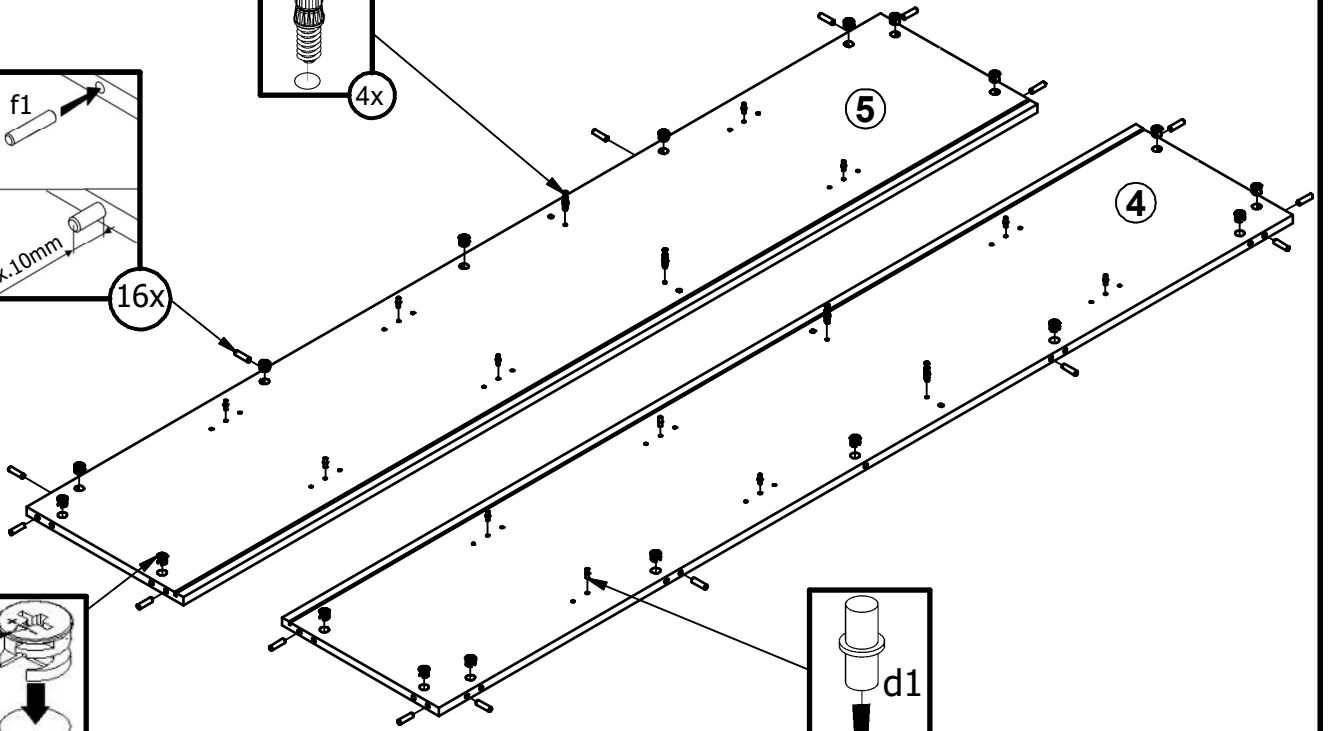
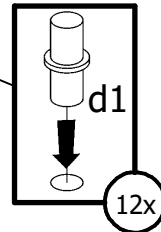
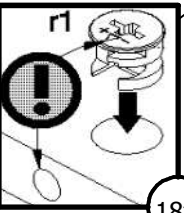
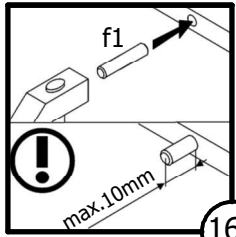
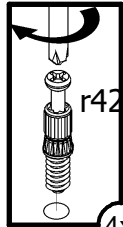


A	B	C1	C2	C3	D
1	M261-4102	363	72	16	1/2
2	M261-4103	363	72	16	1/2
3	S530-0004	762	383	22	2/2
4	S530-1008	1918	353	16	2/2
5	S530-1009	1918	353	16	2/2
6	S530-2001	862	380	28	1/2
7	S530-2002	862	380	16	1/2
8	S530-3004	828	333	22	1/2
9	S530-3005	828	333	22	1/2
10	S530-4101	860	72	16	1/2
11	S530-4102	826	72	16	1/2
12	S530-5002	1918	43	19	2/2
13	S530-9301	1928	839	2,5	2/2

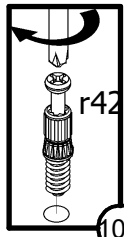
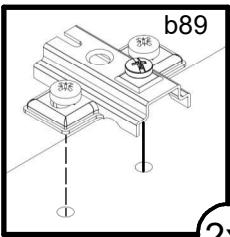




1

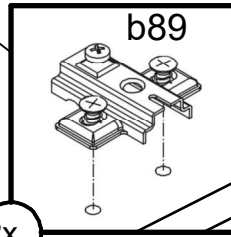
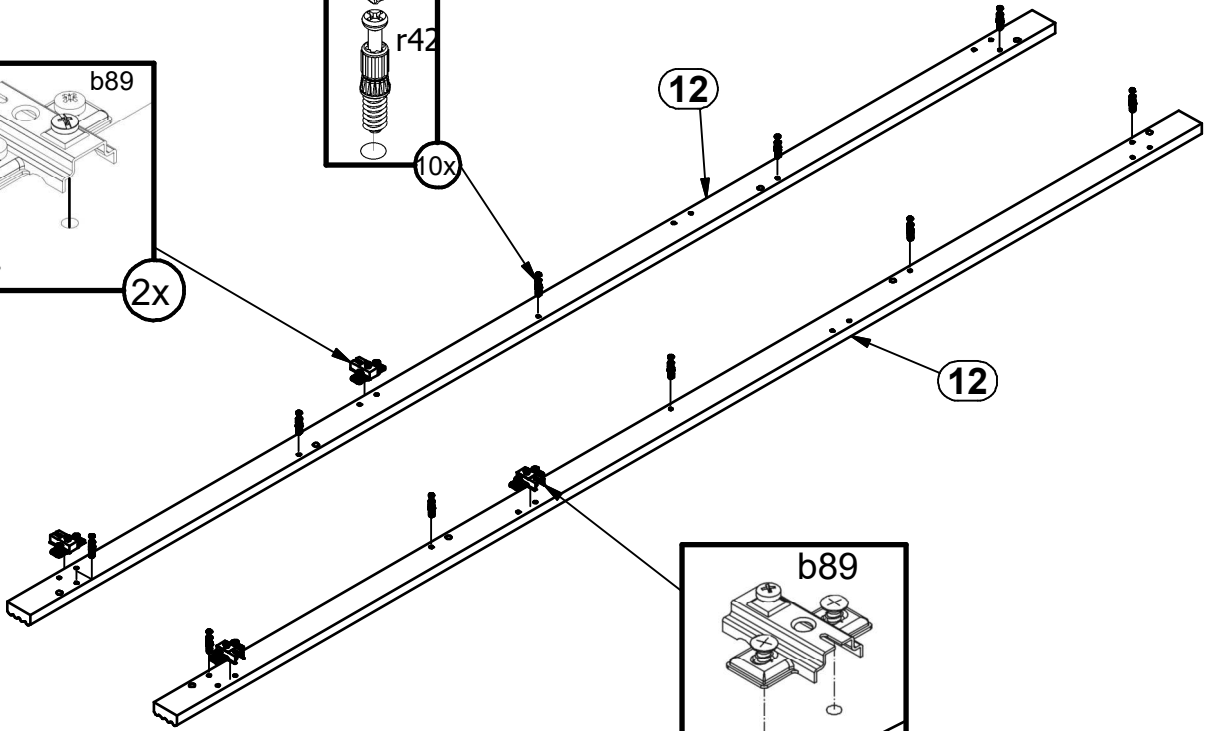


2

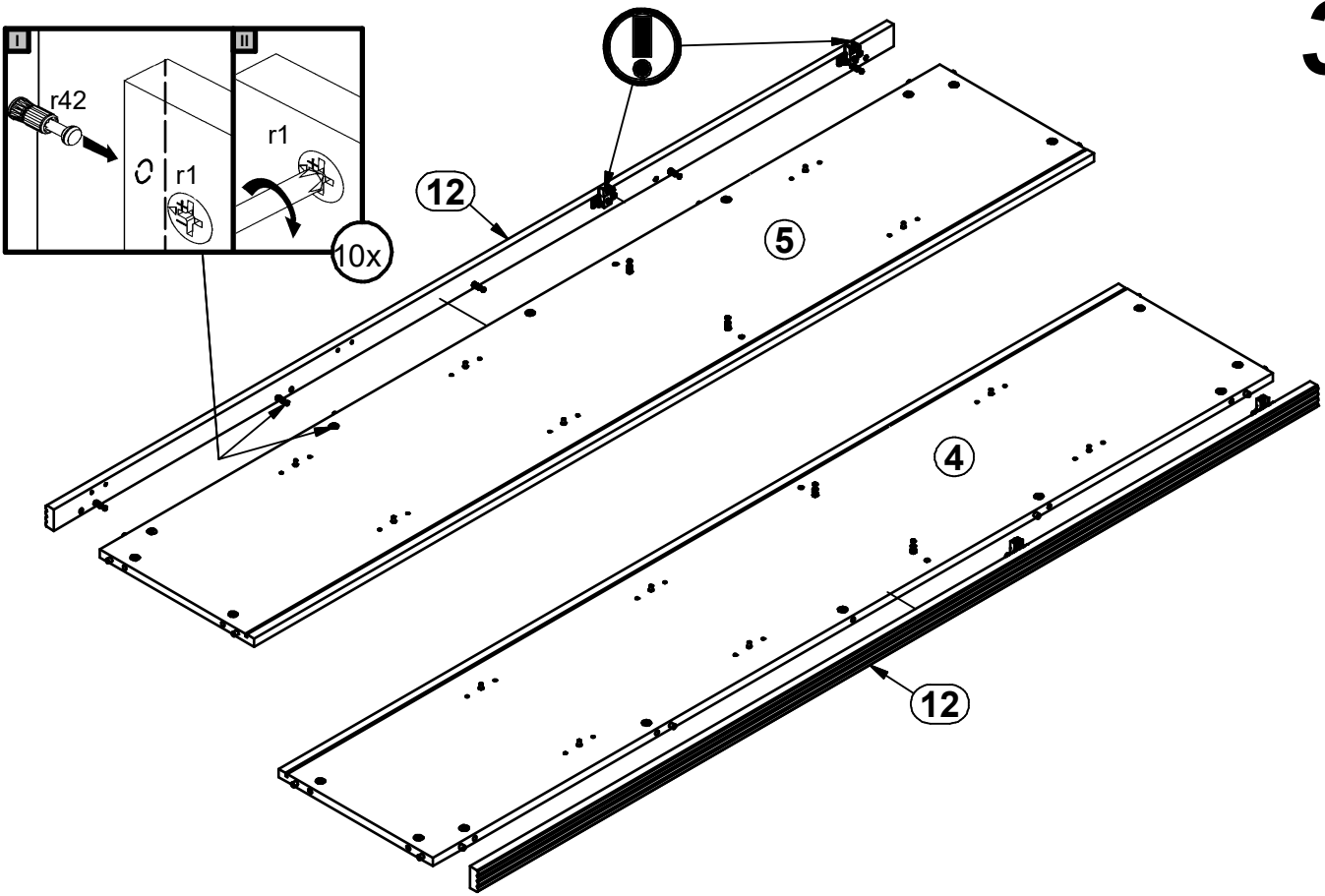


12

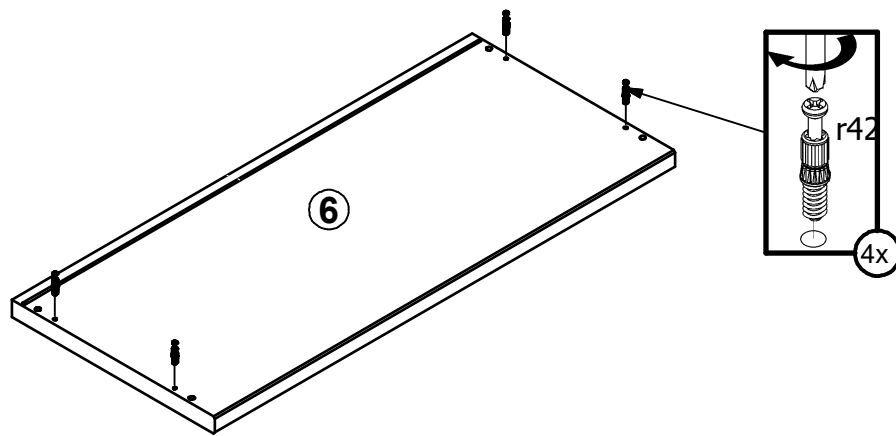
12



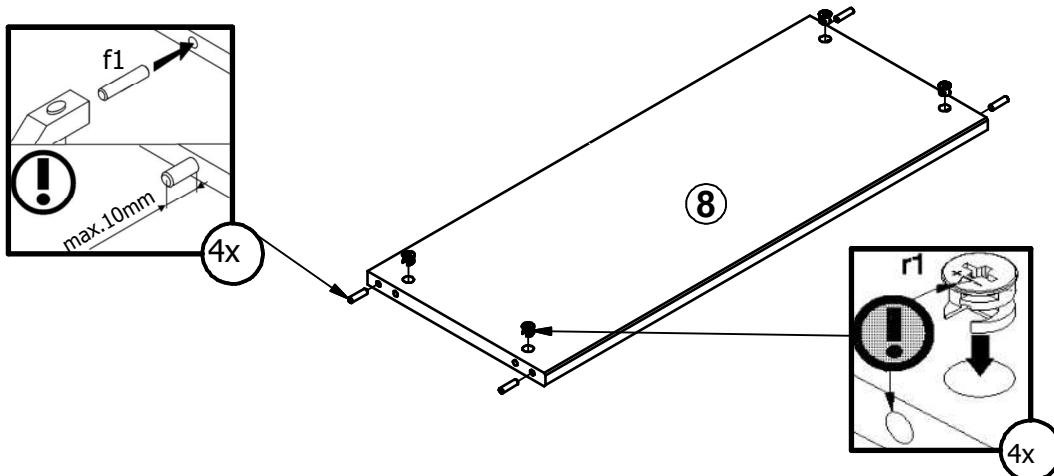
3

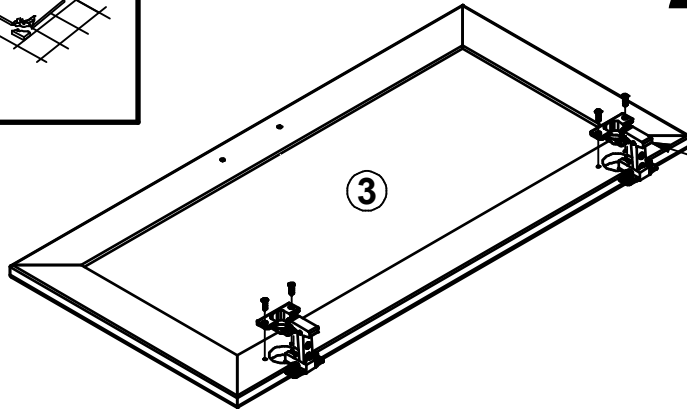
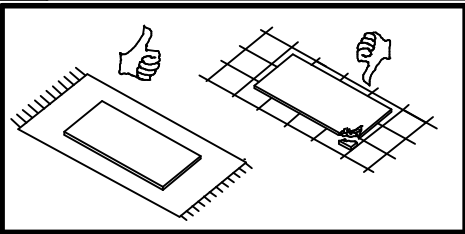


4



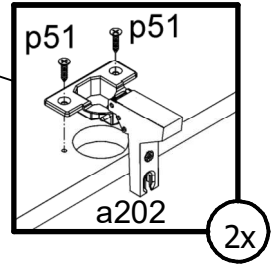
5





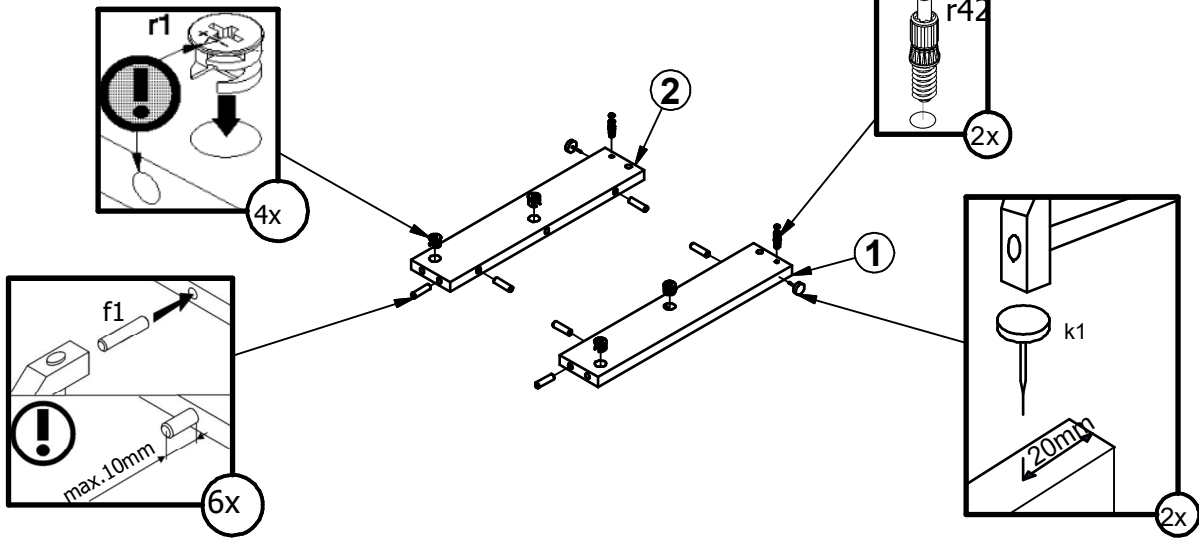
2x

6



2x

7



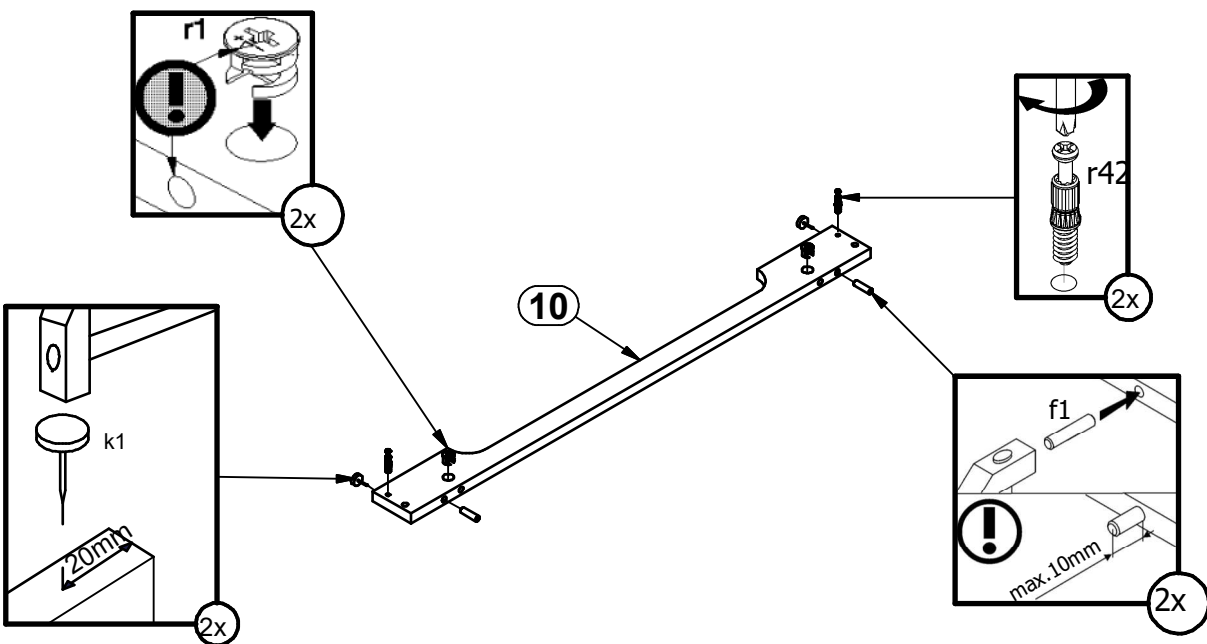
4x

2x

6x

2x

8

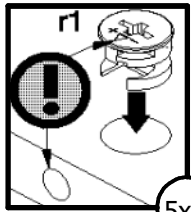


2x

2x

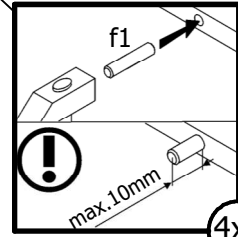
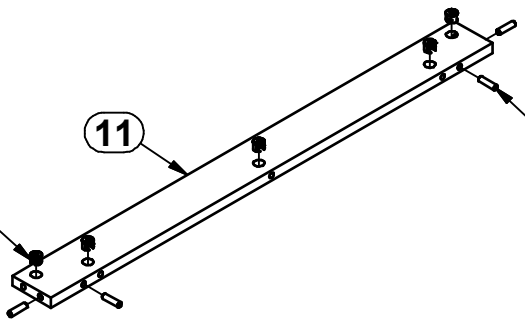
2x

2x



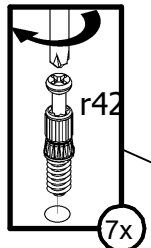
5x

11

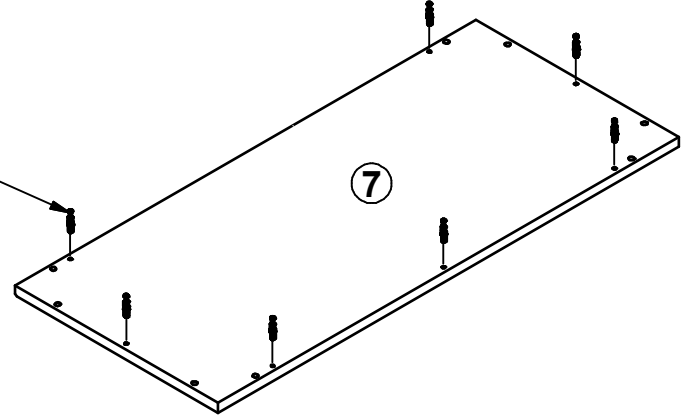


4x

9



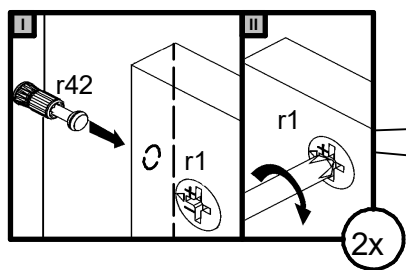
7x



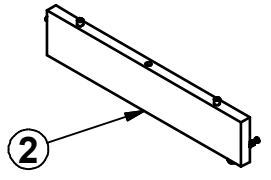
7

10

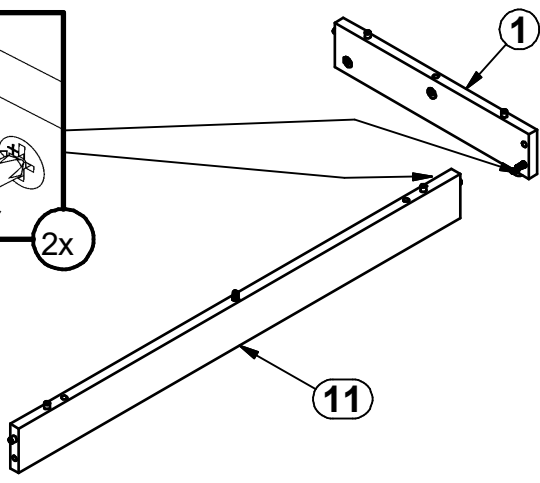
2



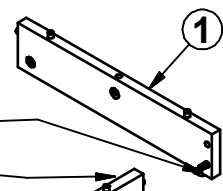
2x



2



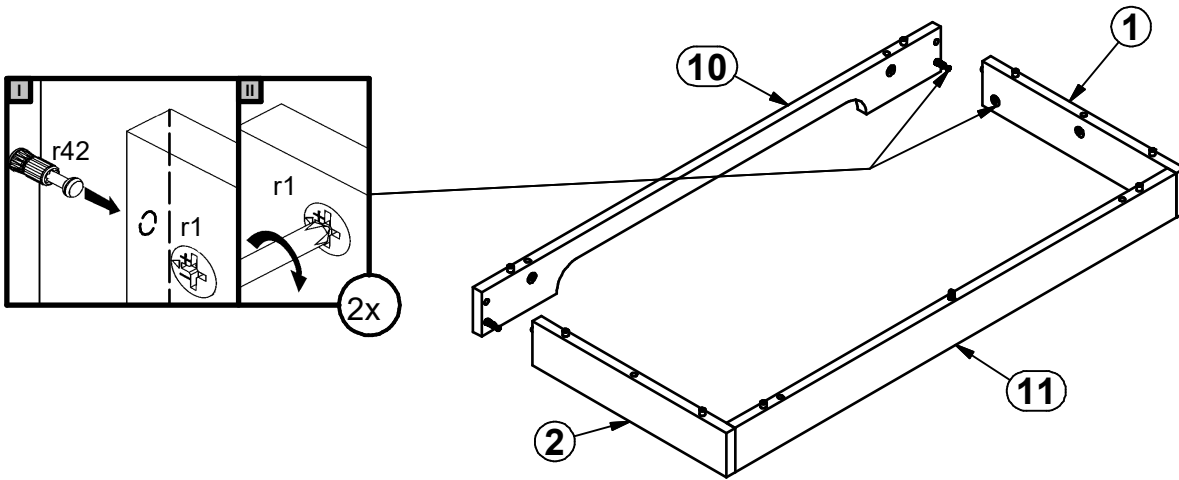
11



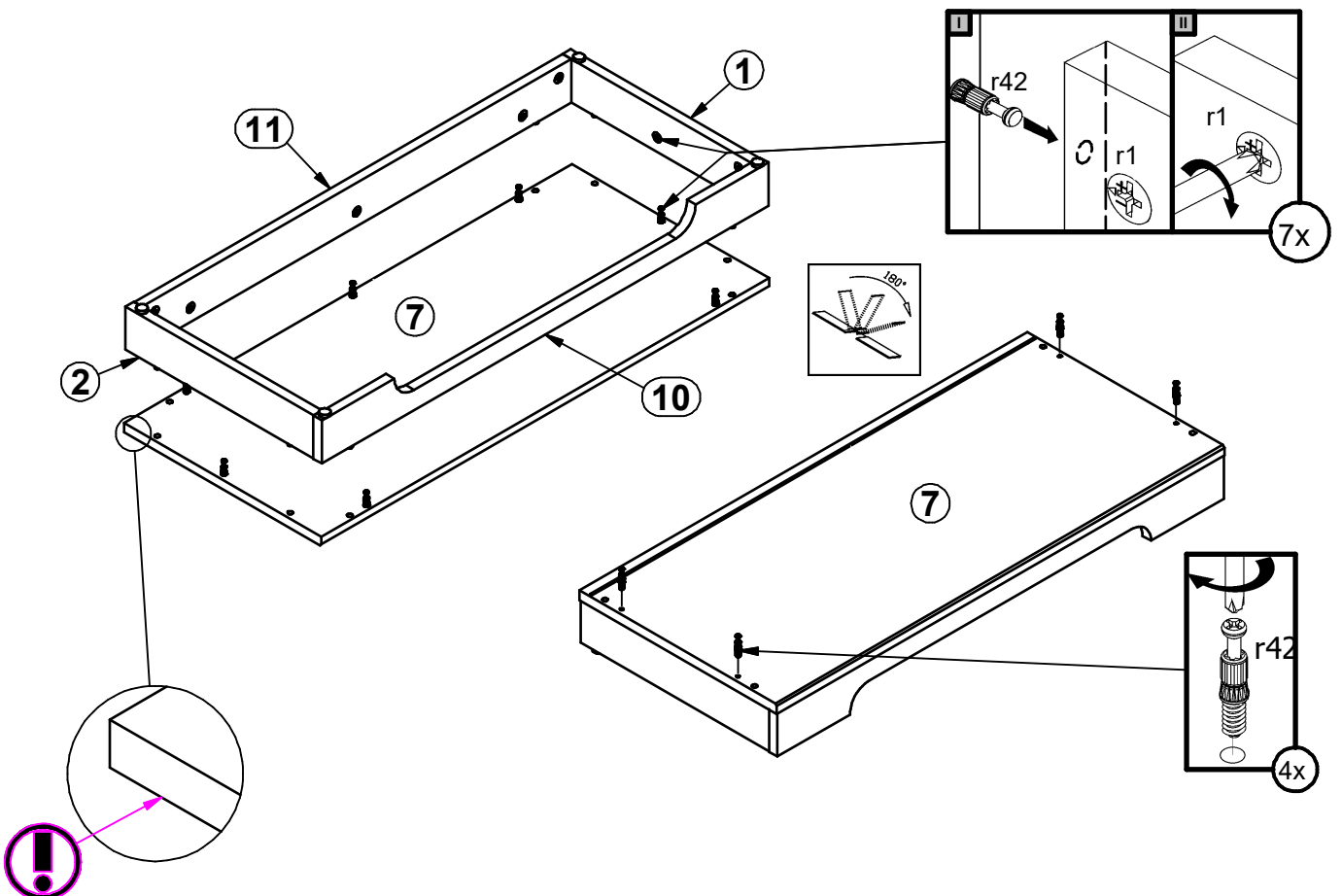
1

11

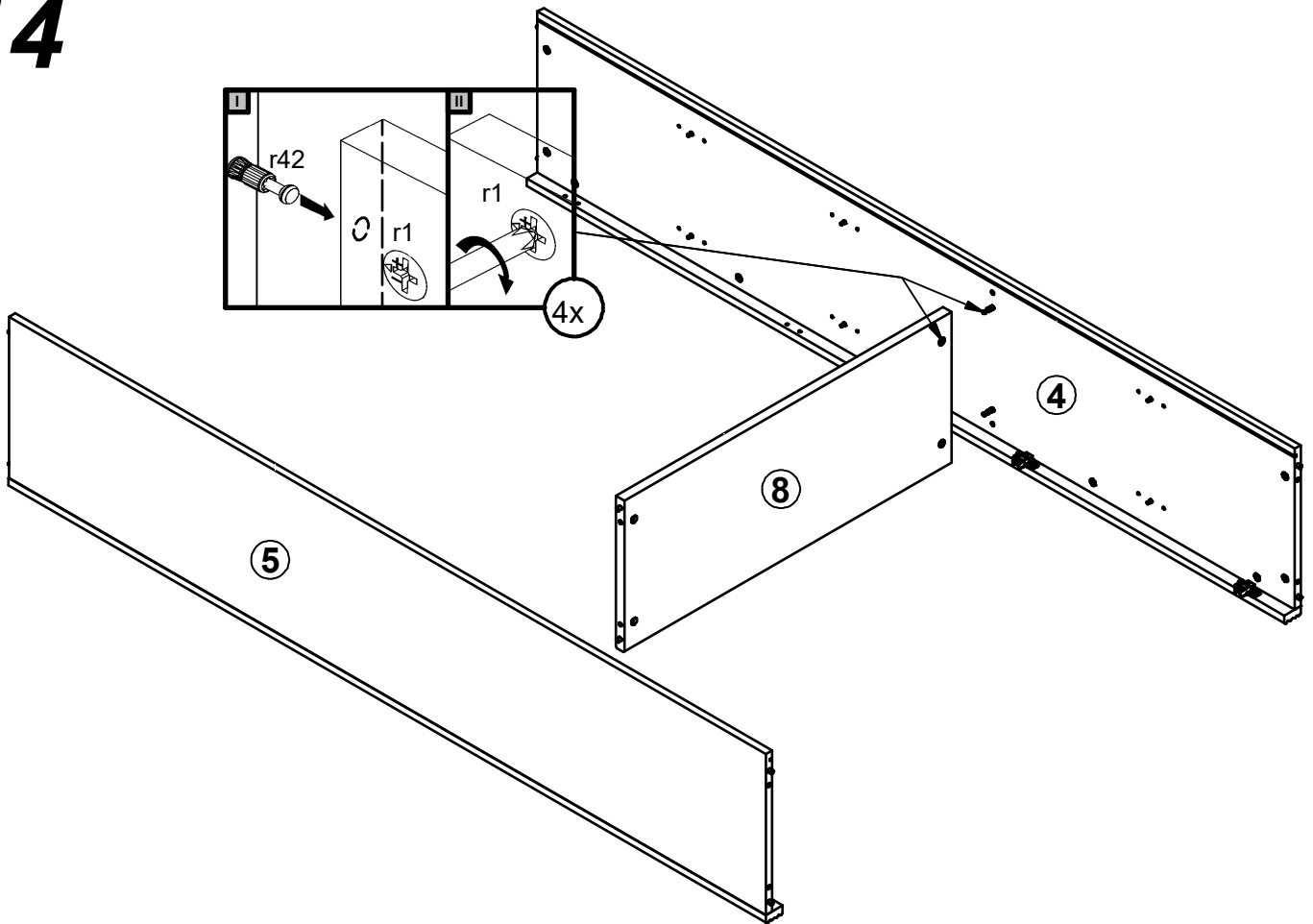
# 12



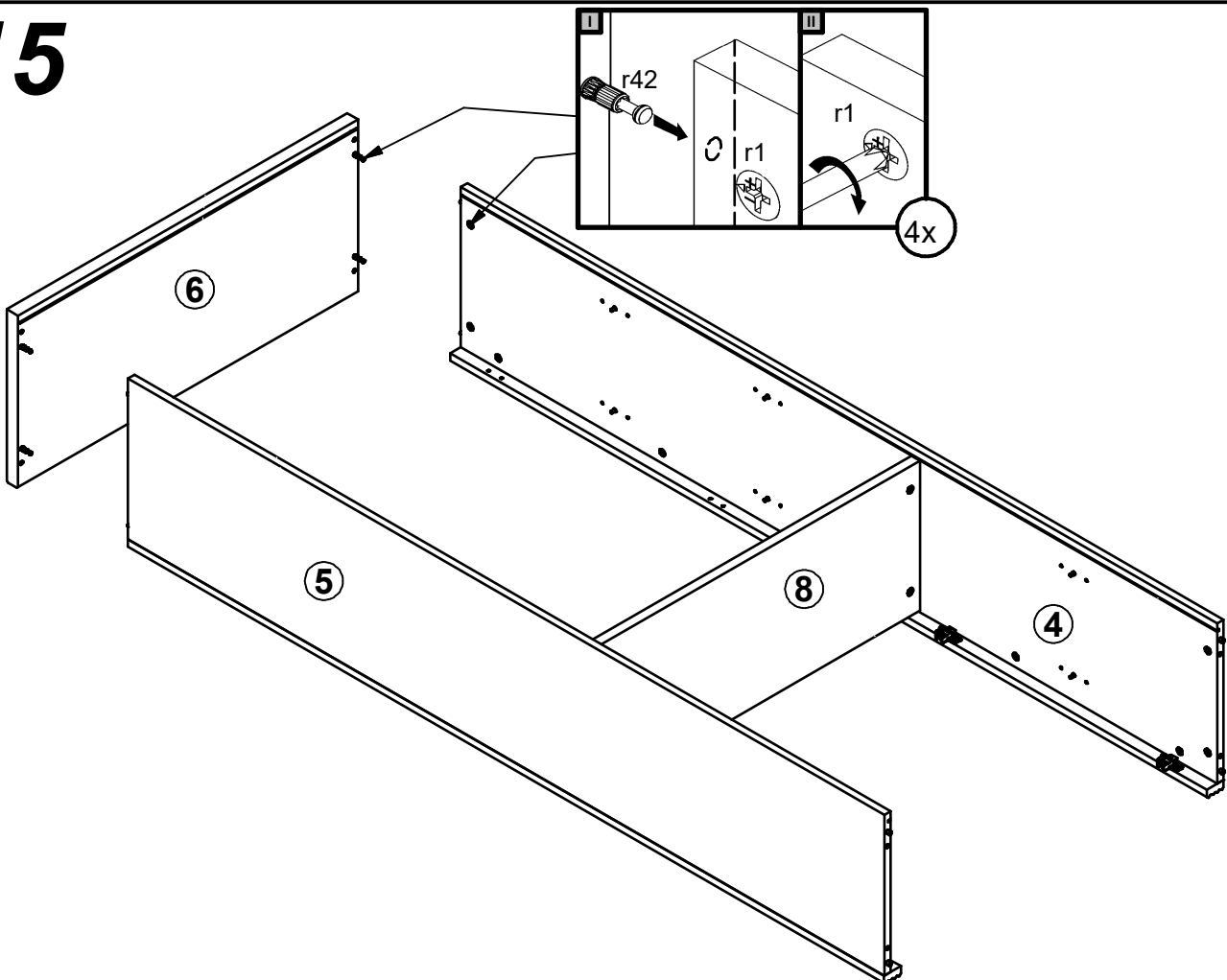
# 13



14

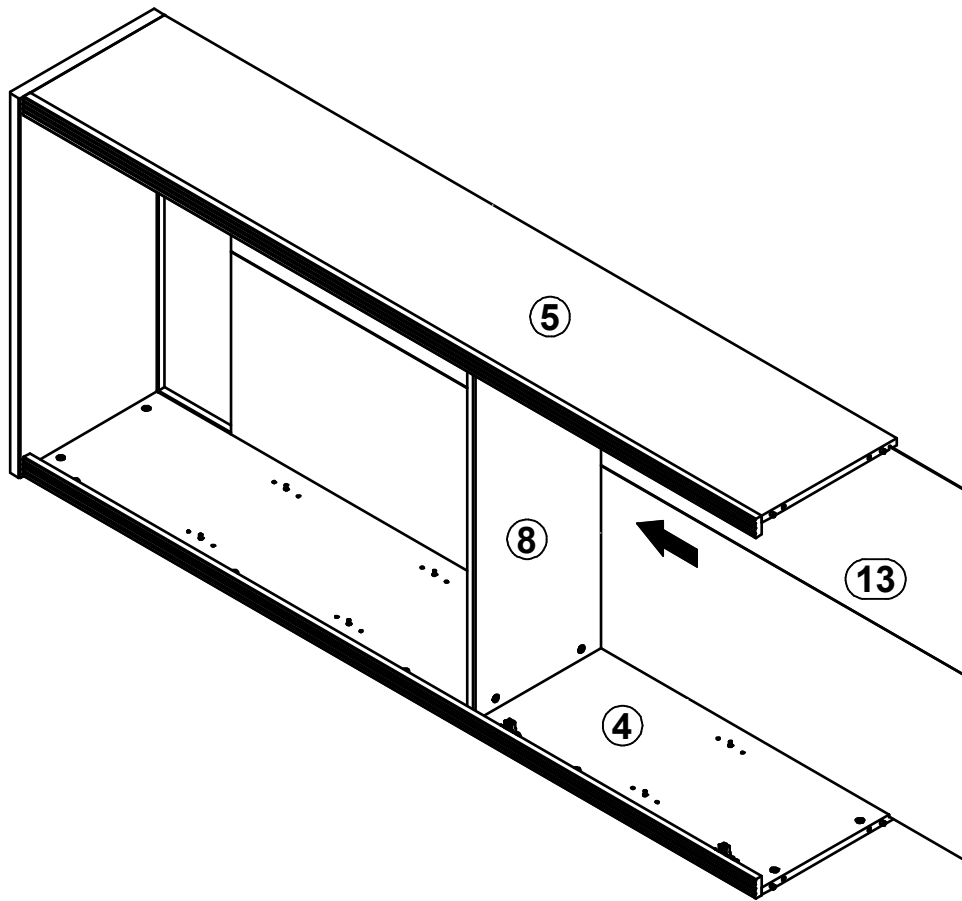


15

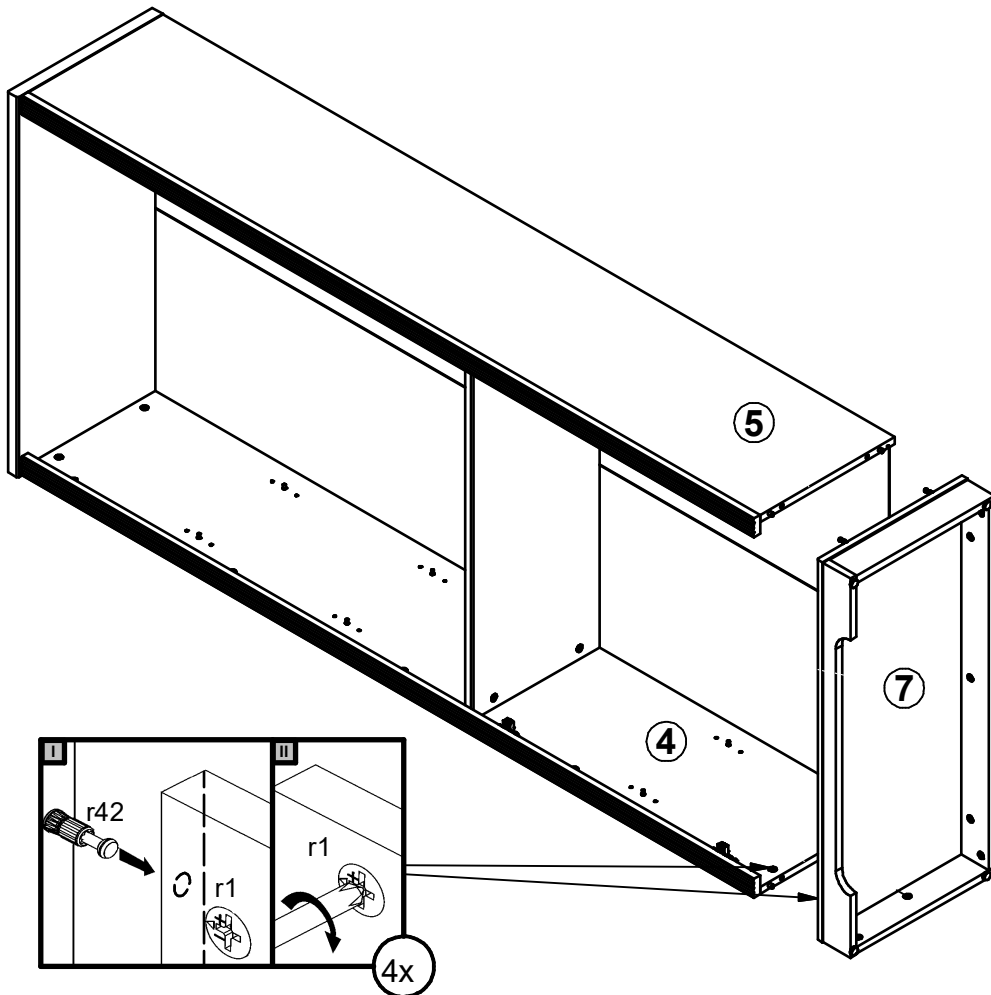




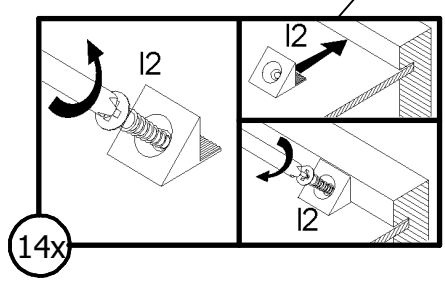
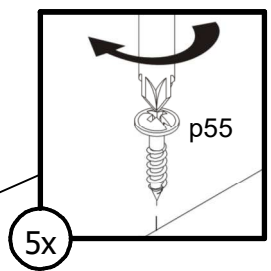
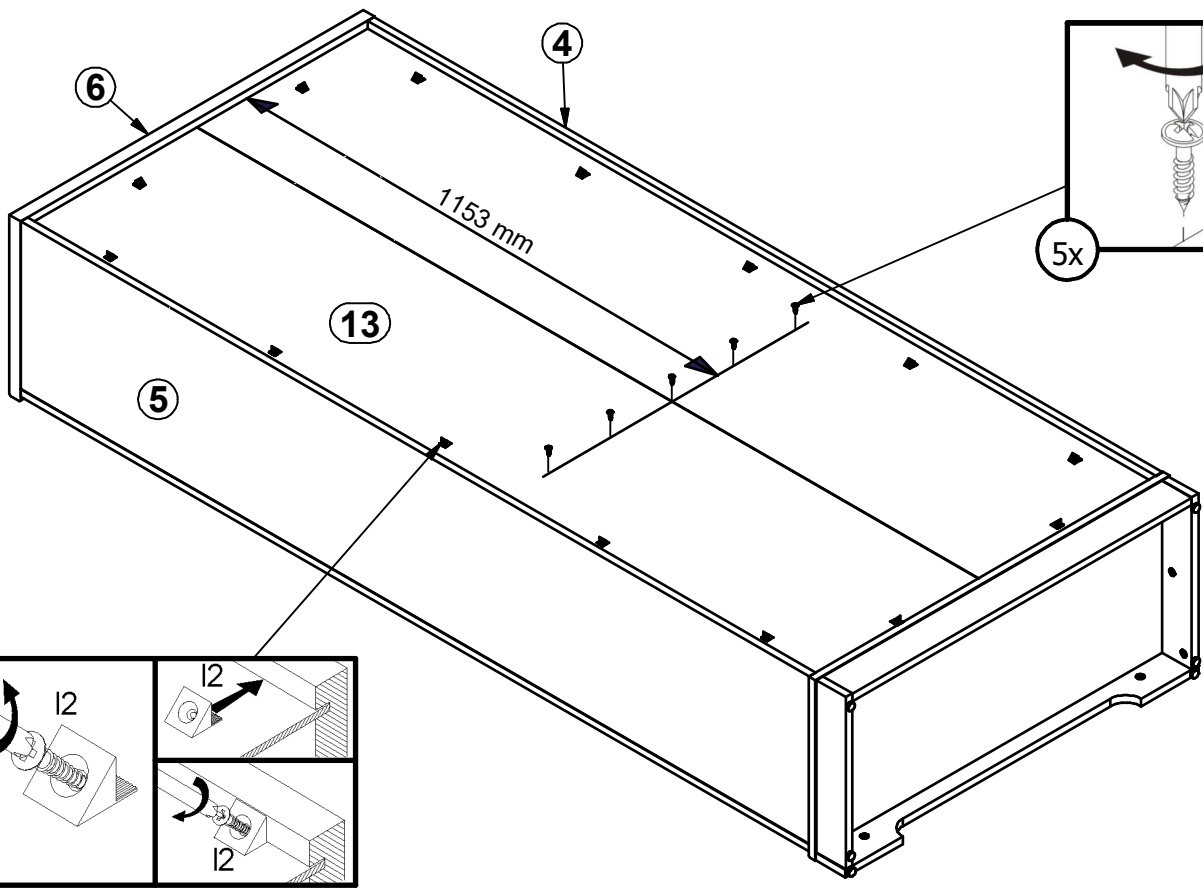
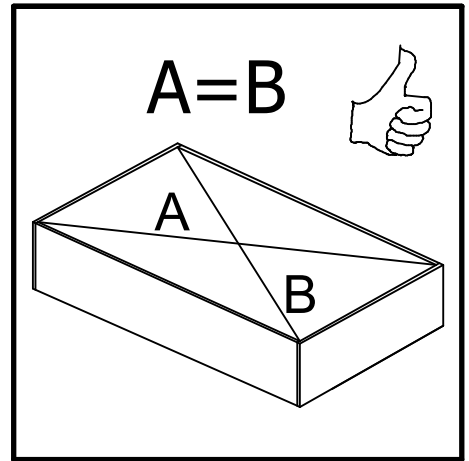
16



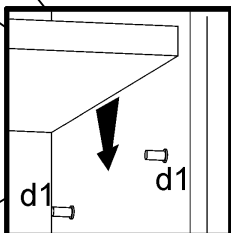
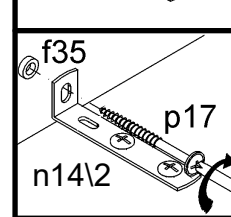
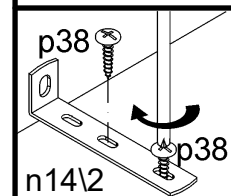
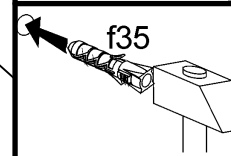
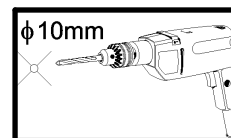
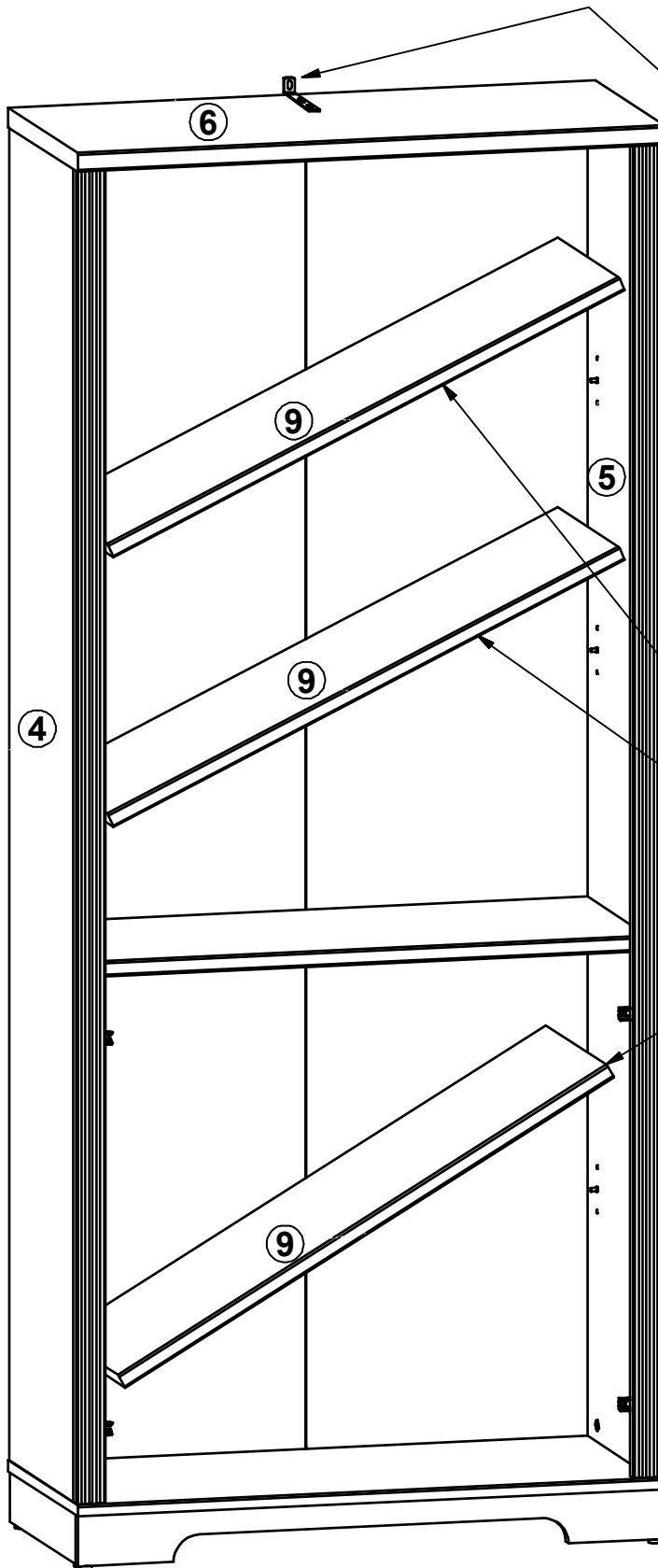
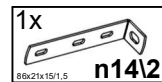
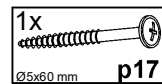
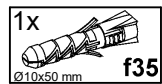
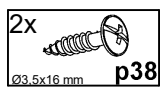
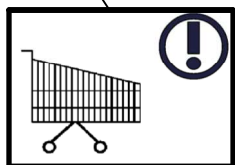
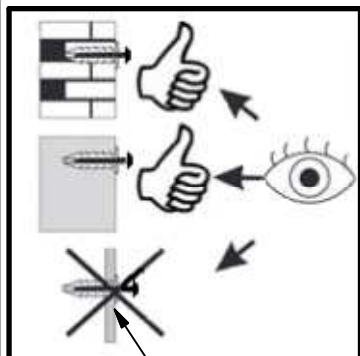
17



# 18



# 19



# 20

