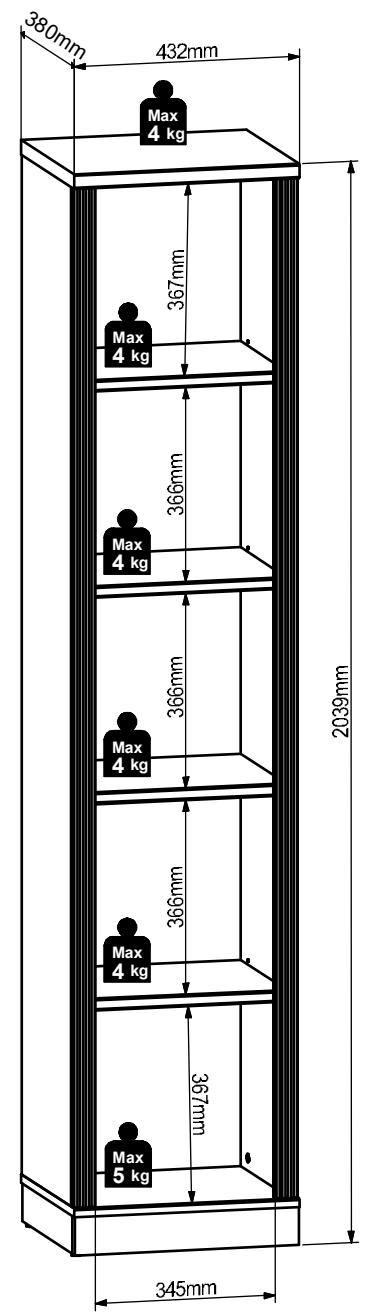
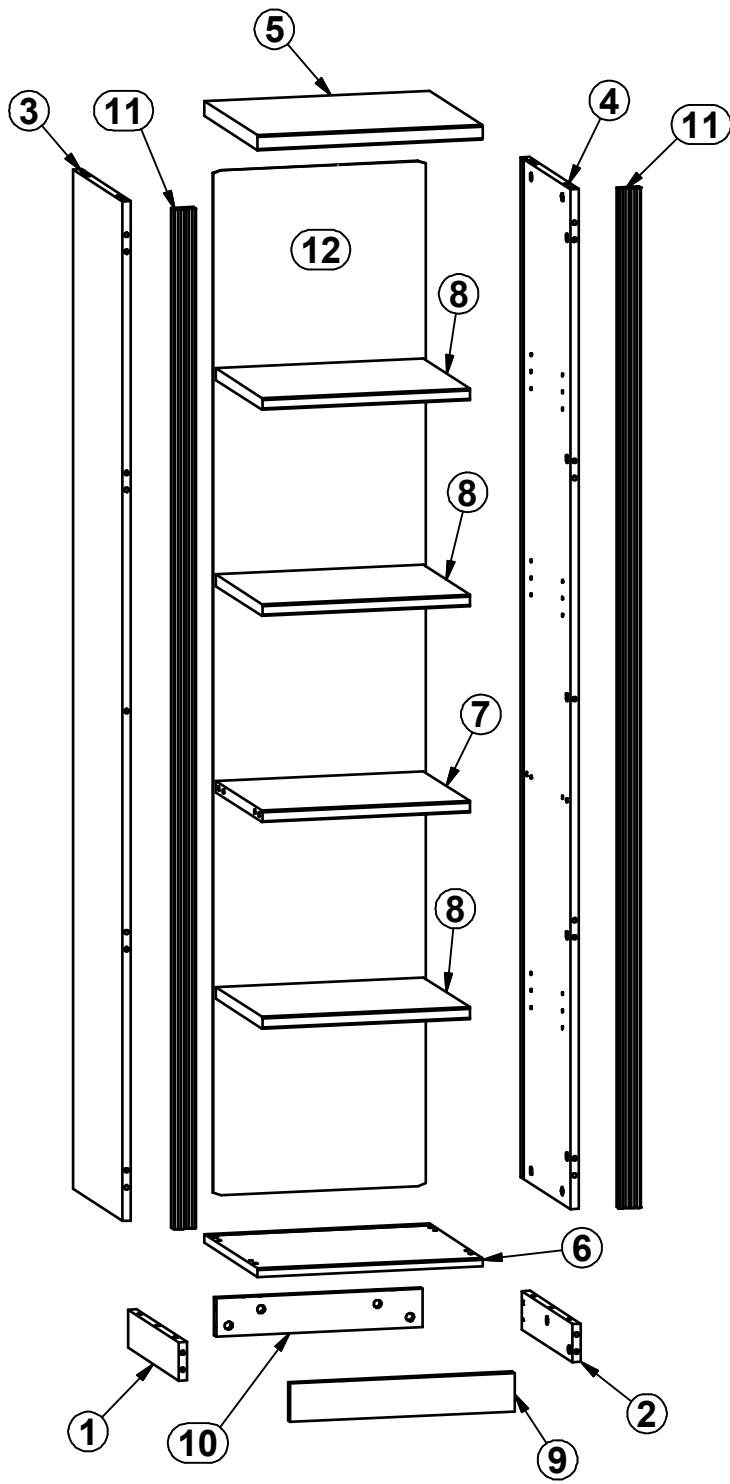
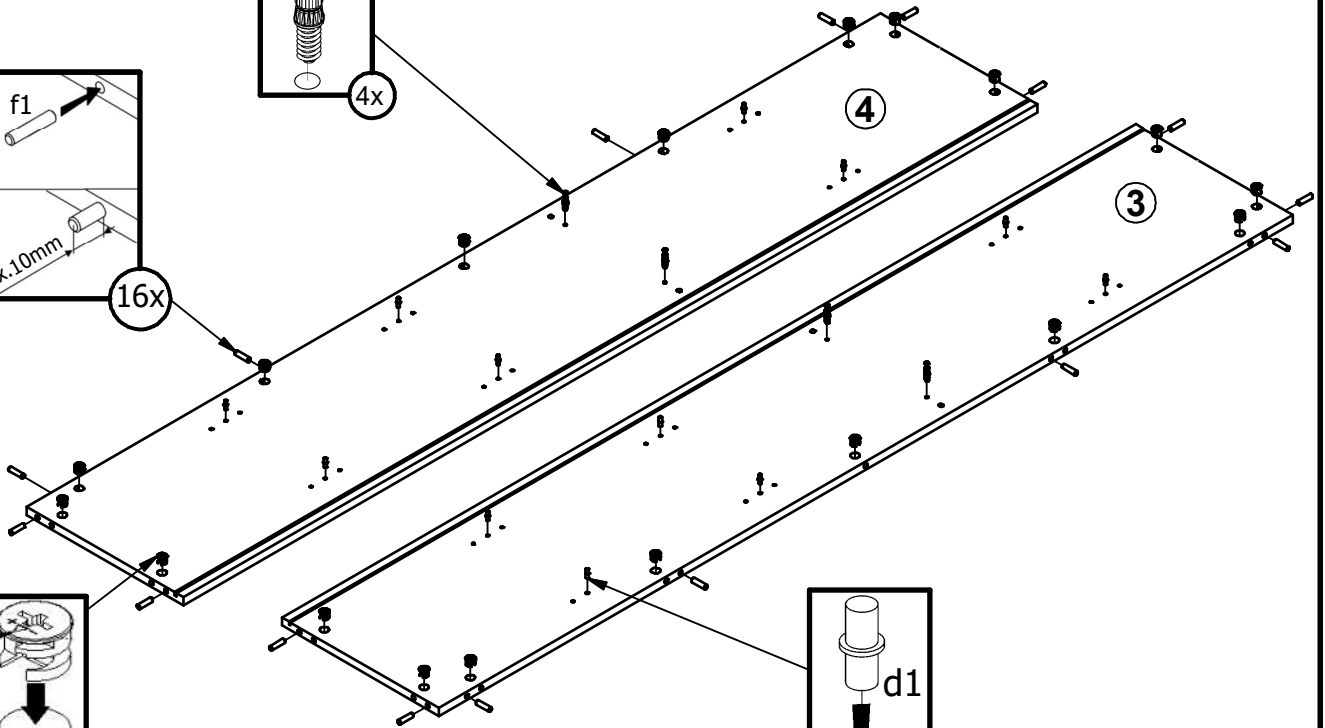
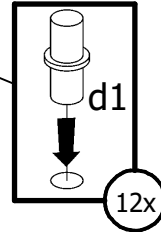
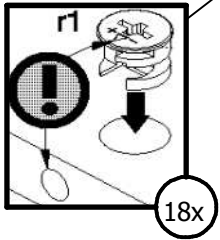
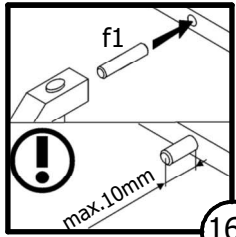
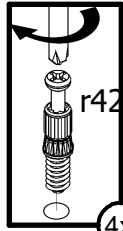


A	B	C1	C2	C3	D
1	M261-4102	363	72	16	1/2
2	M261-4103	363	72	16	1/2
3	S530-1008	1918	353	16	2/2
4	S530-1009	1918	353	16	2/2
5	S530-2003	432	380	28	1/2
6	S530-2004	432	380	16	1/2
7	S530-3006	398	333	22	1/2
8	S530-3007	398	333	22	1/2
9	S530-4103	430	72	16	1/2
10	S530-4104	396	72	16	1/2
11	S530-5002	1918	43	19	2/2
12	S530-9001	1928	408	2,5	2/2

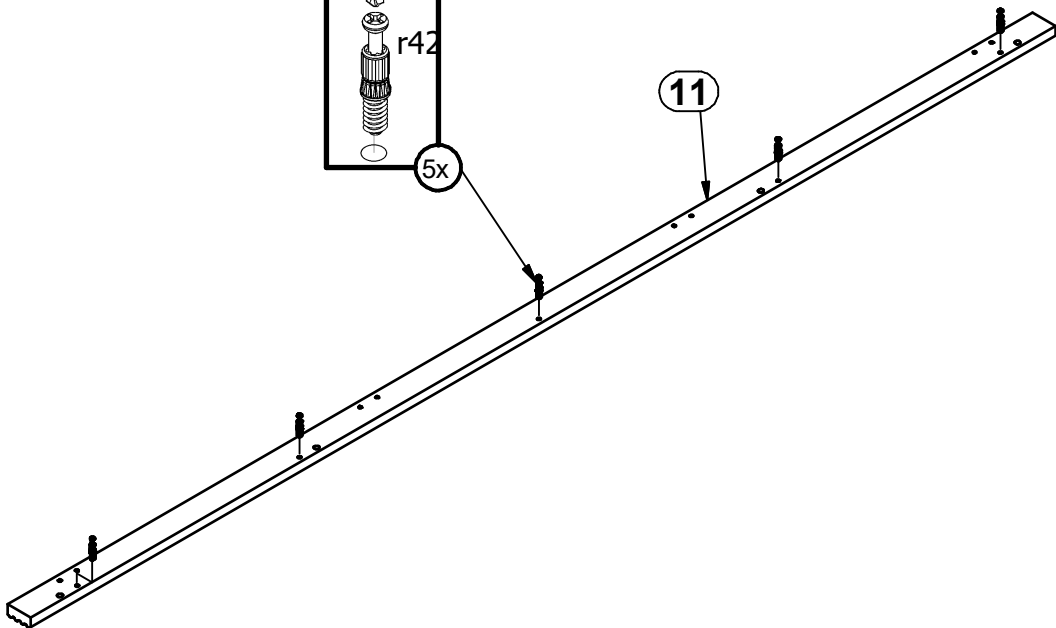
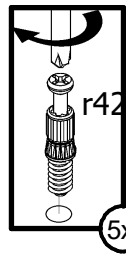


1

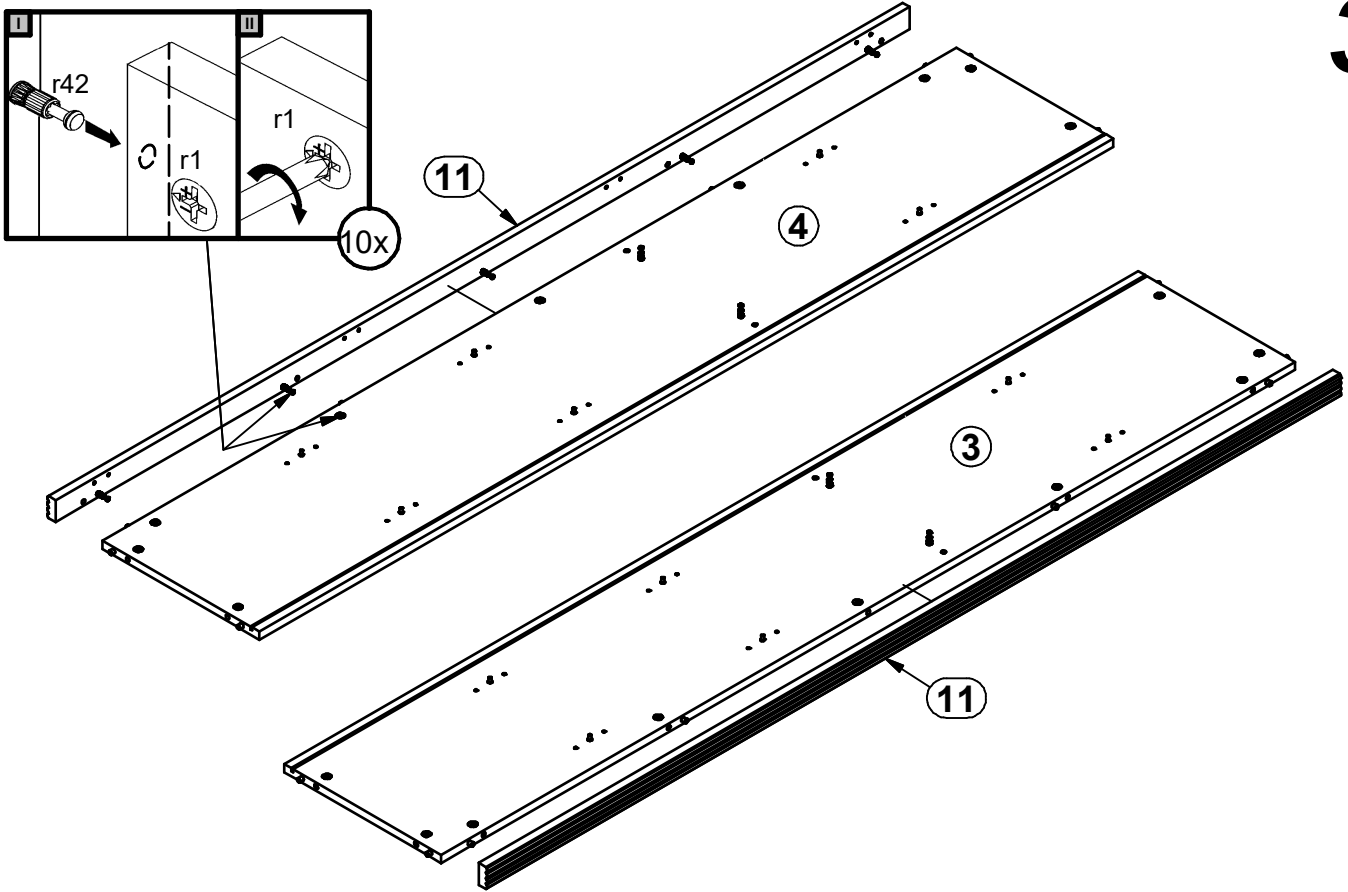


2

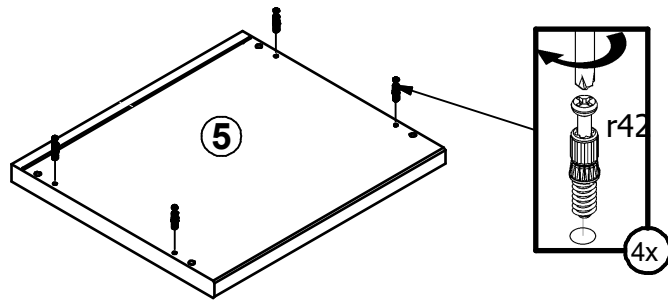
2x



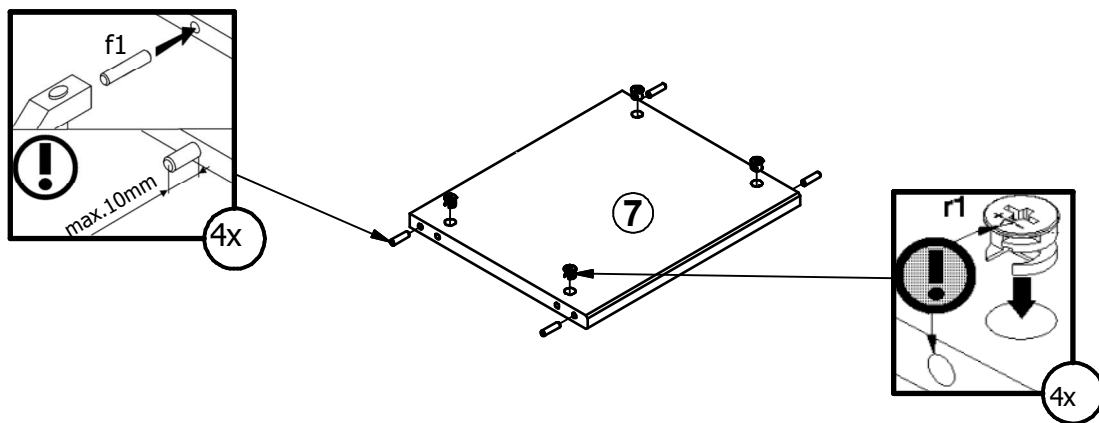
3



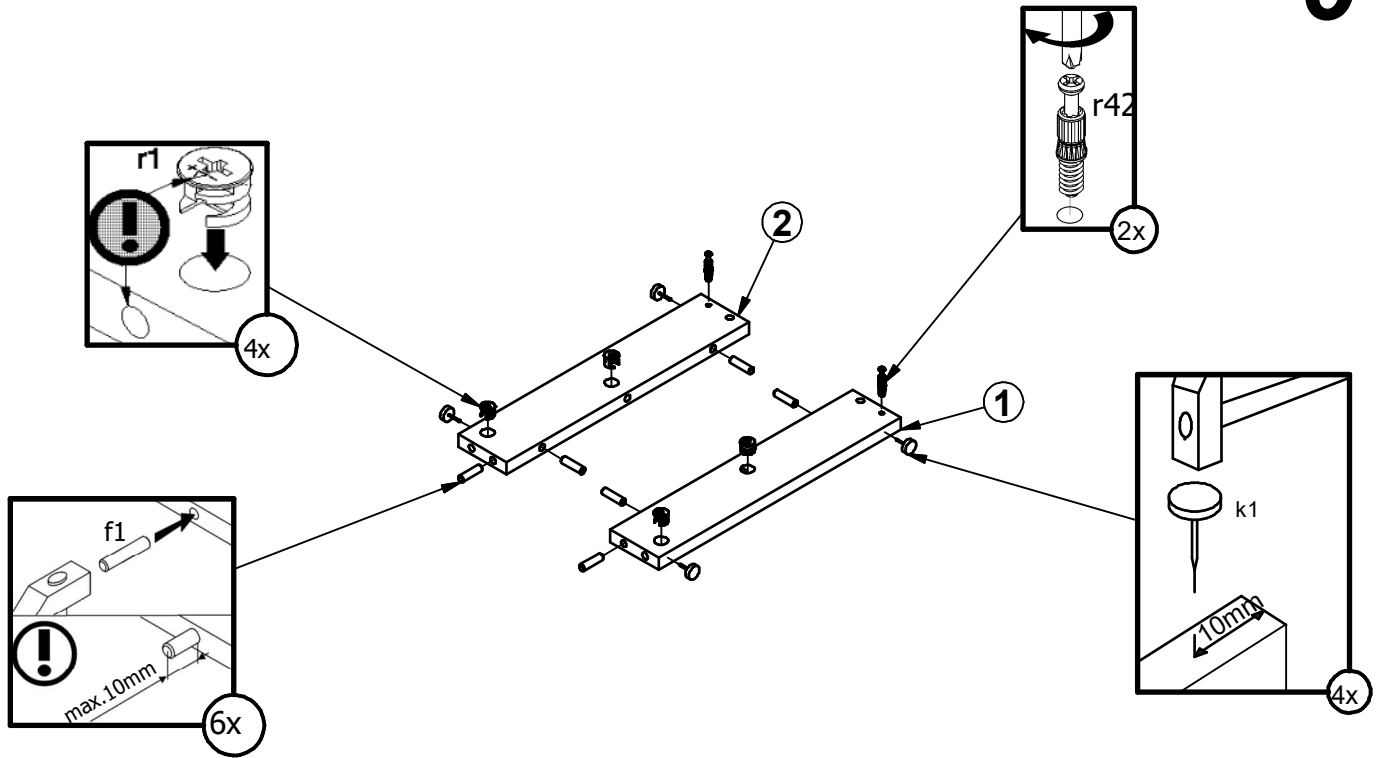
4



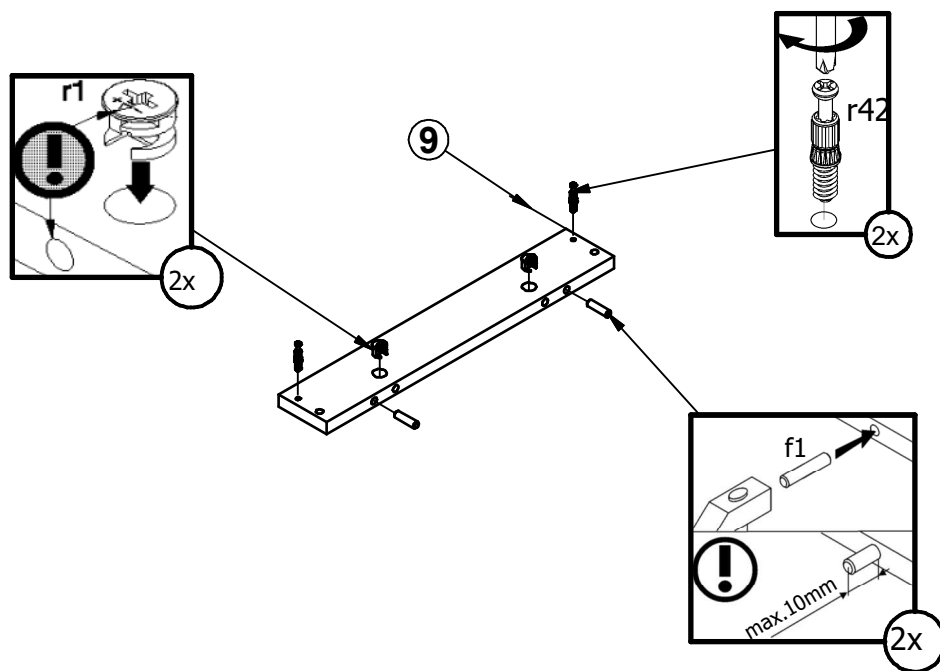
5



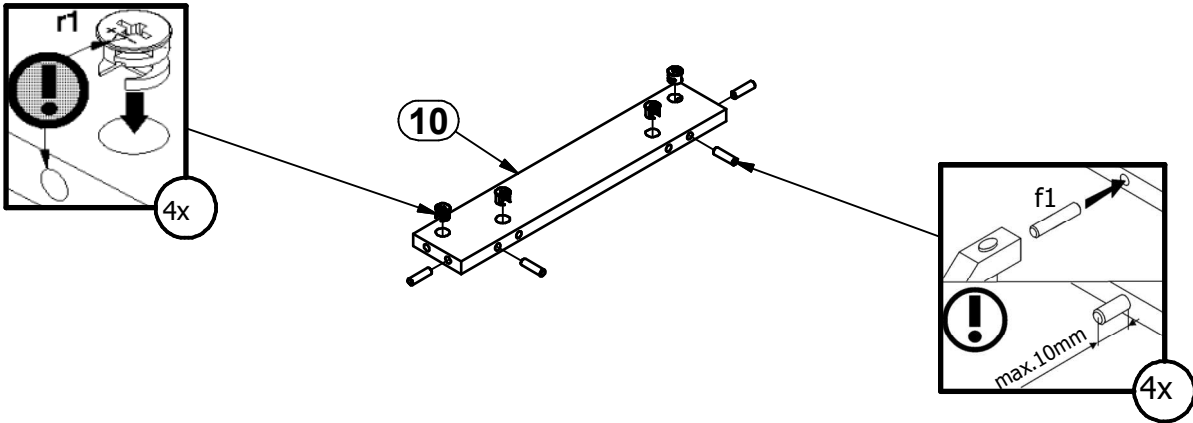
6



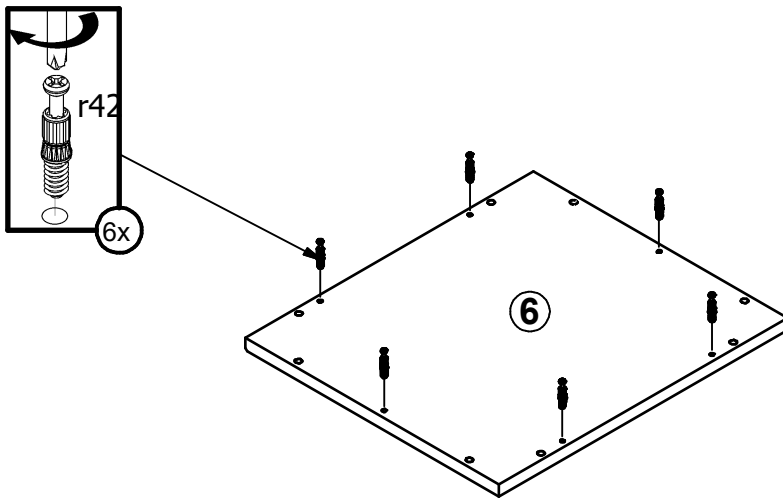
7



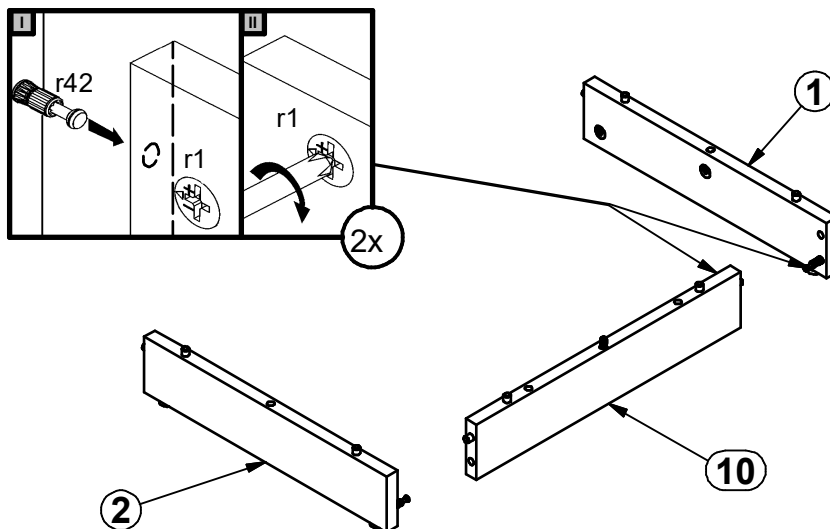
8



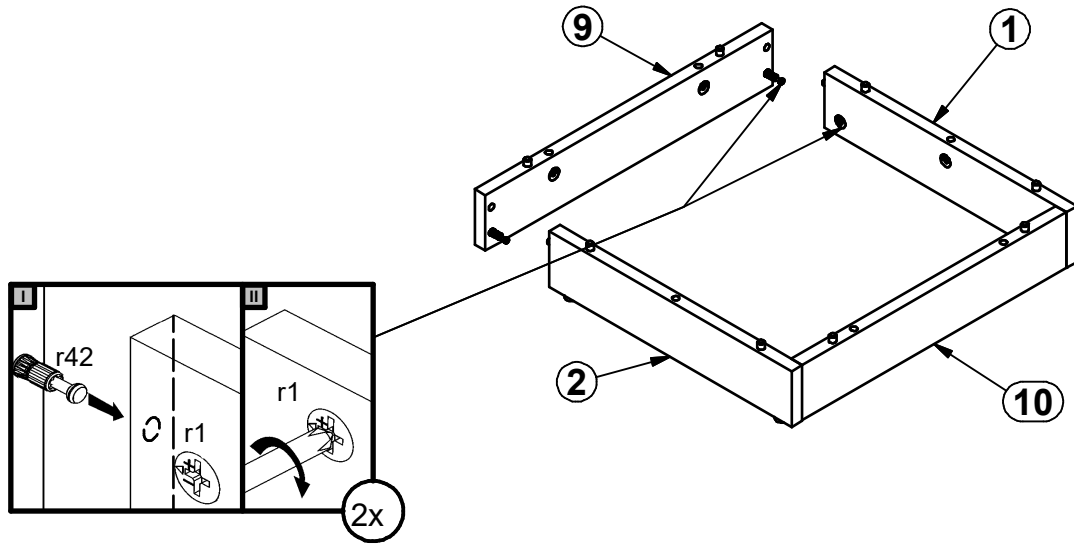
9



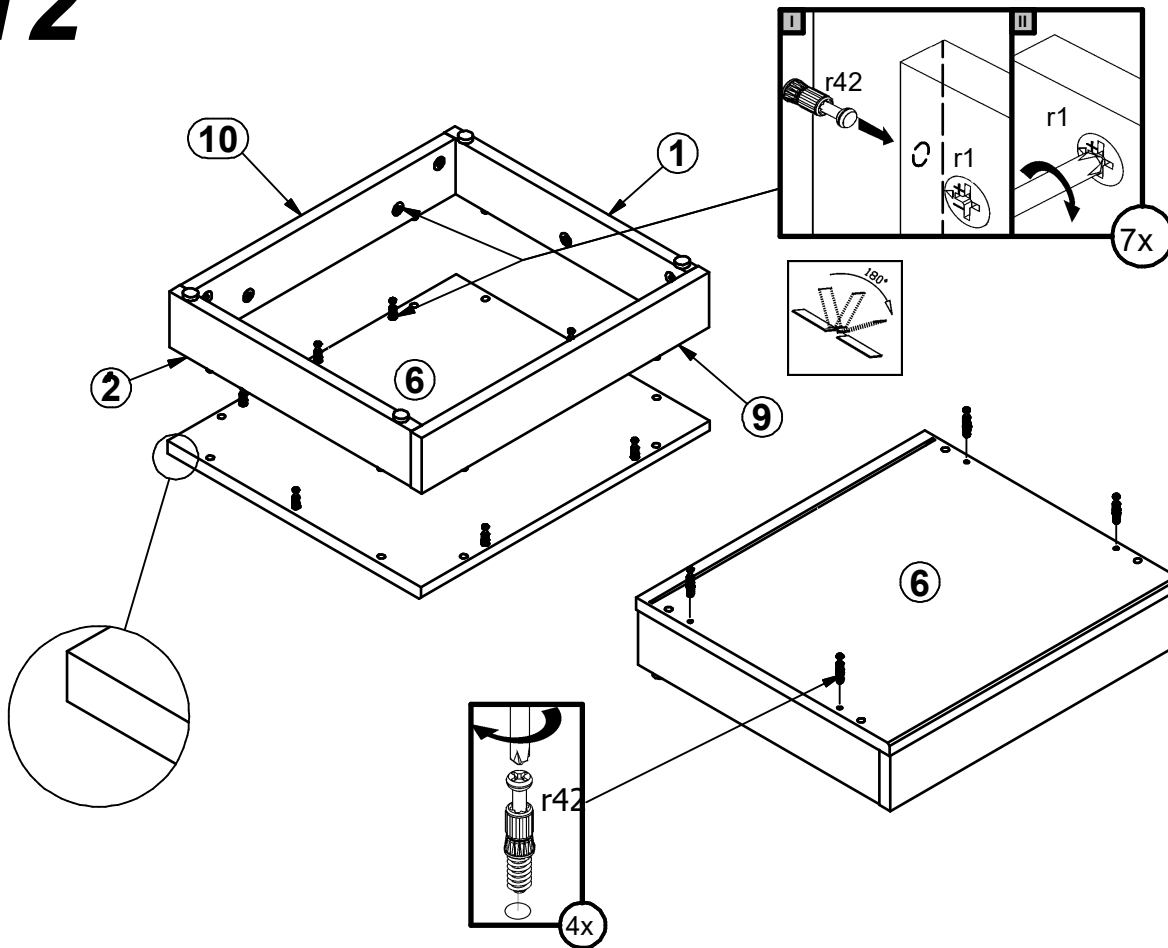
10



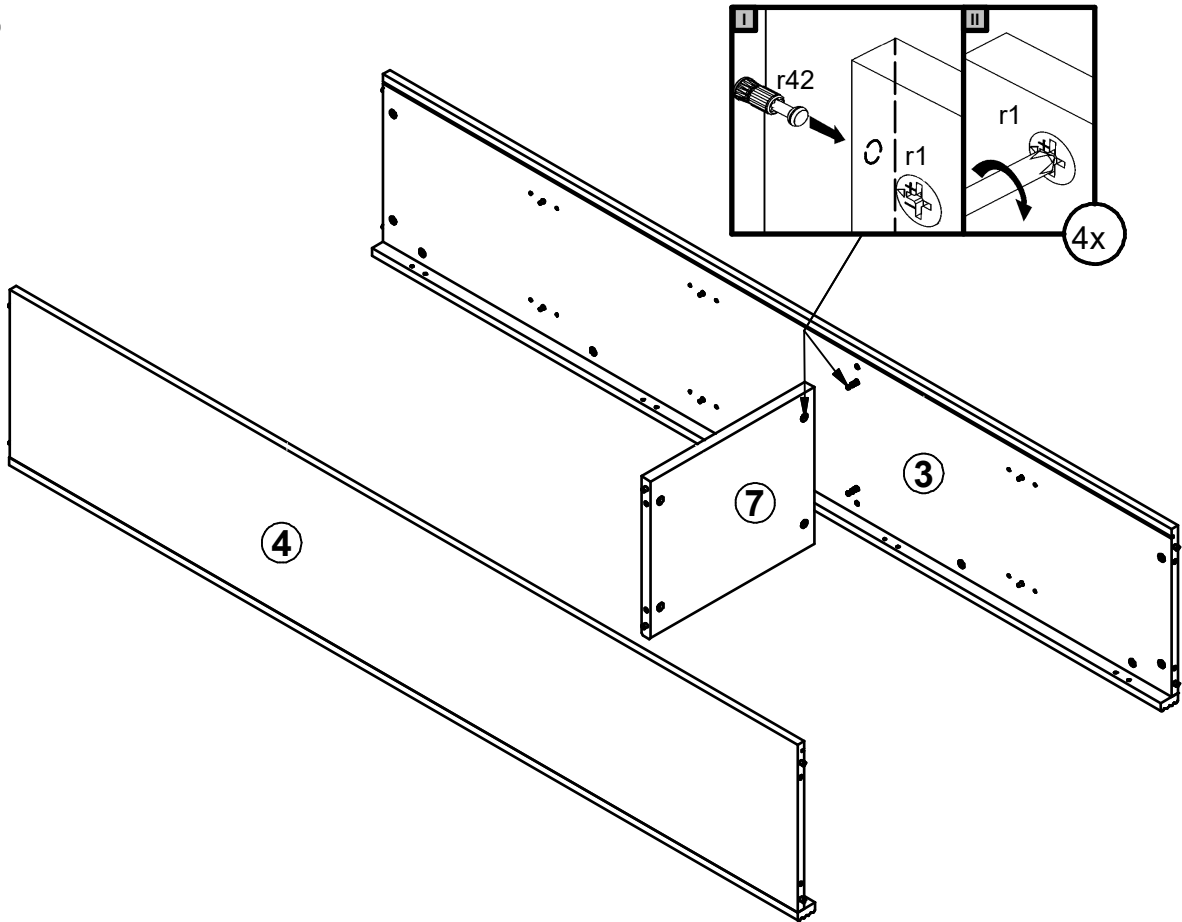
11



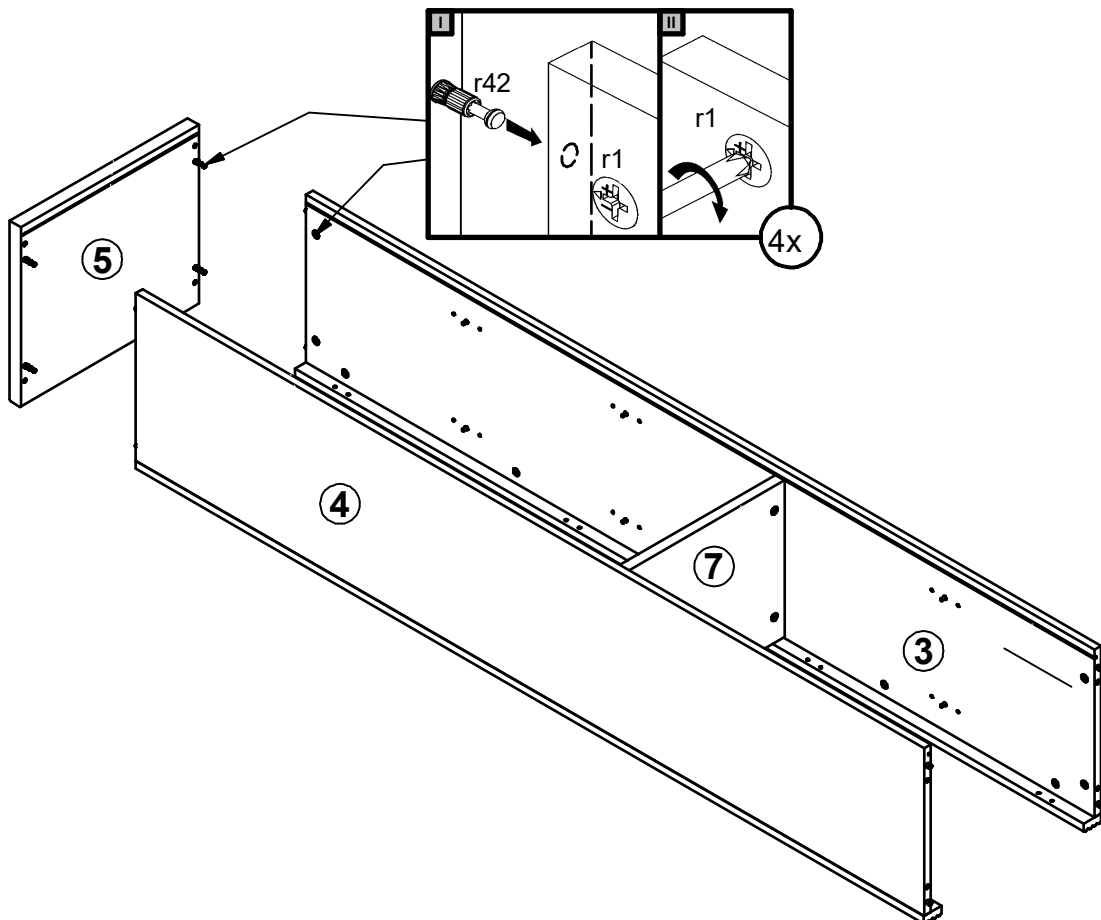
12

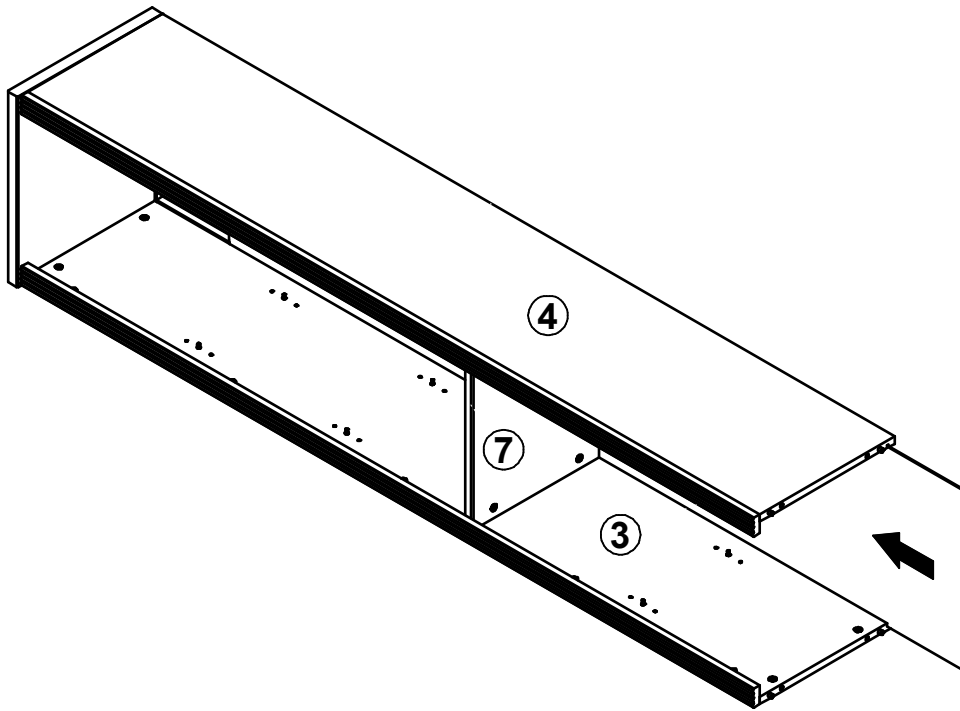
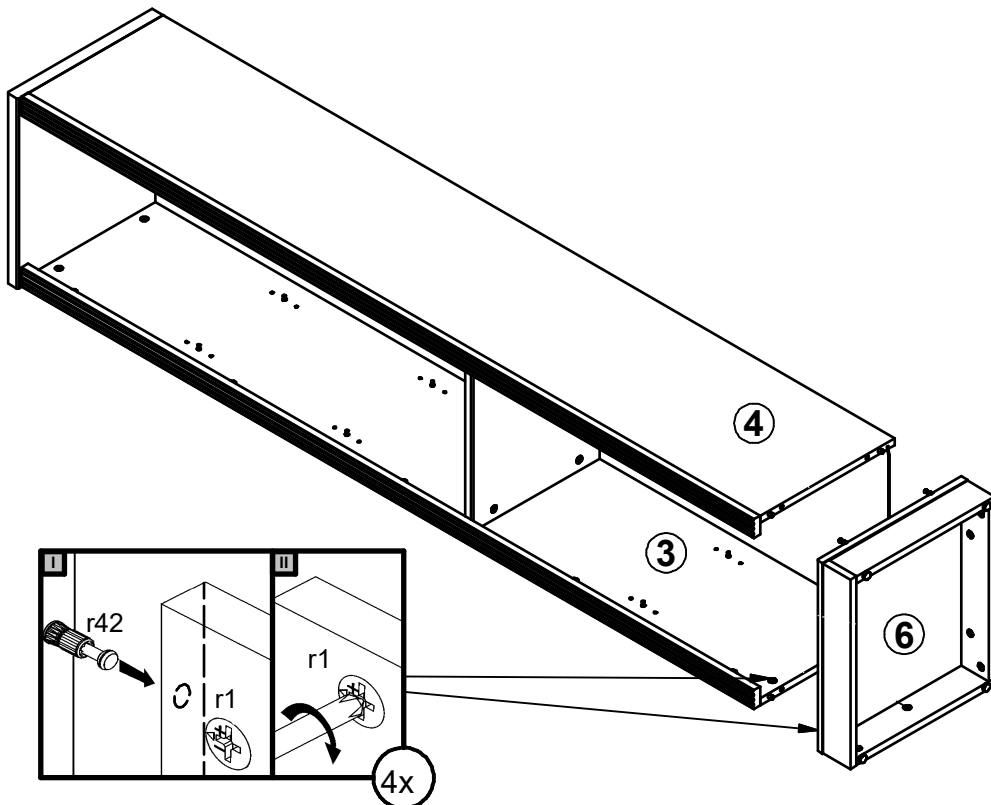


13

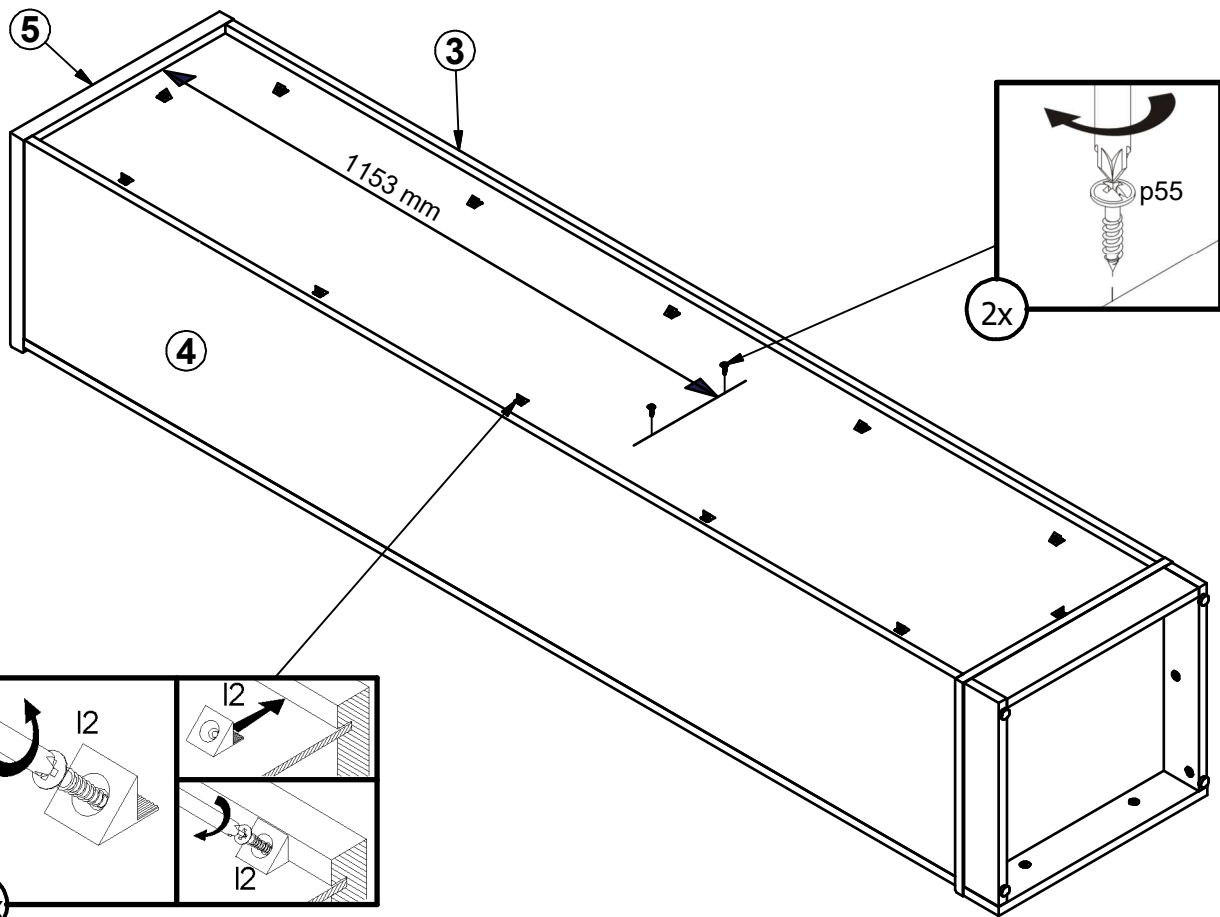
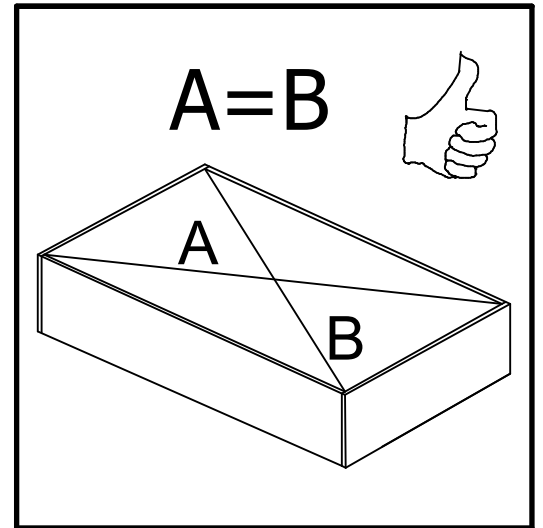


14



15**16**

17



18

